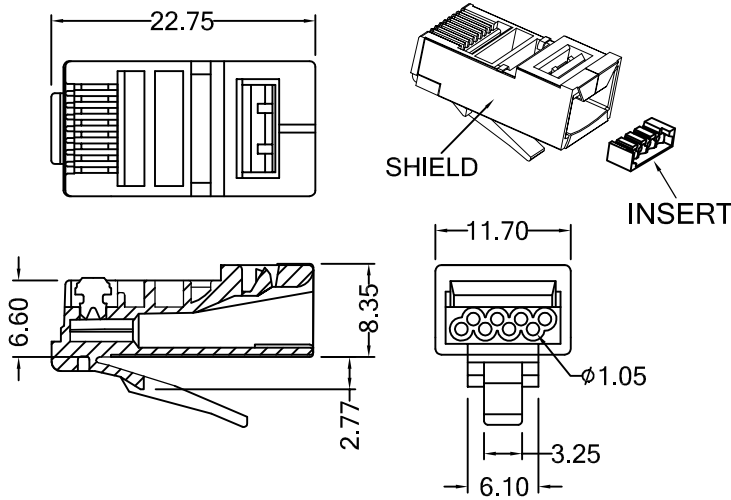


Part Number: S7845
 Shielded
 2 Row, 4 up 4 down



MATERIAL & FINISH

Housing & Insert: PC, UL94V-2, clean
 Contact : Copper alloy plated with gold.
 Shield: Brass with nickel plated.

MECHANICAL SPECIFICATIONS

Operating Temperature: -40°C to 85°C
 Mating Cycles: 750 cycles min.

ELECTRICAL SPECIFICATIONS

Voltage: 125 VAC
 Current: 1.5 A
 Contact Resistance: 30 milliohms max.
 Insulation Resistance: 500 megaohms min.
 Dielectric Withstanding Voltage: 1000 VAC

ORDERING INFORMATION

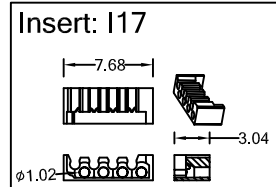
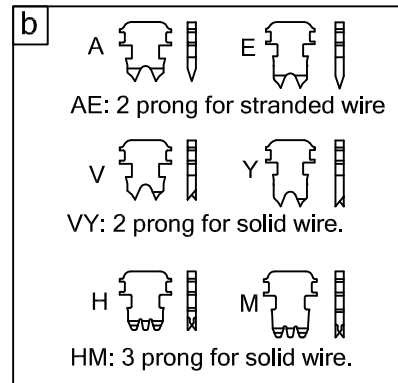
S 7845 A F 8 8 8 **a** **b** A + I17

Gold Plating

- 2 - 03μ"
- 3 - 06μ"
- 4 - 15μ"
- 5 - 30μ"
- 6 - 50μ"

Contact Type

- A - AE type
- V - VY type
- H - HM type



Unit: m/m
 Tol: ±0.15 unless otherwise stated



巨亮企業有限公司
 CHU LIANG ENTERPRISE CO.,LTD.
 TEL:886-2-22023997 FAX:886-2-22023867

E-mail: web@plug.com.tw
 peter@plug.com.tw
 Web: http://www.plug.com.tw