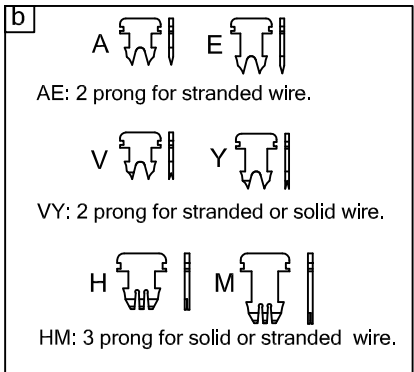
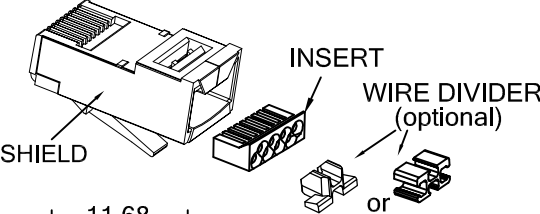
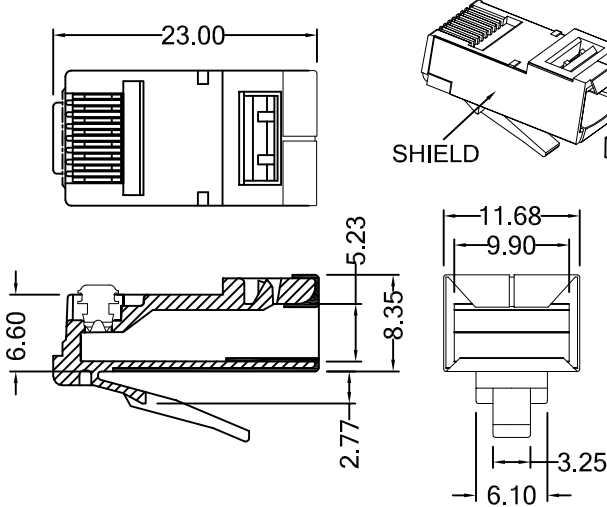


Part Number: S7843



MATERIAL & FINISH
 Housing and Insert: PC, UL94V-2, clean
 Contact : Copper alloy with gold plated.
 Shield: Brass with nickel plated.

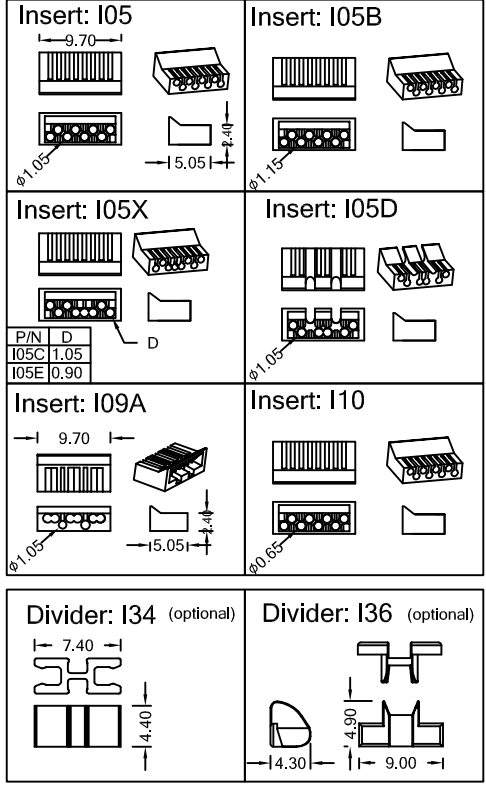
ORDER INFORMATION

S 7843 A F 8 8 8 **a** **b** A + **c**

Gold Plating
 1 - 01μ"
 2 - 03μ"
 3 - 06μ"
 4 - 15μ"
 5 - 30μ"
 6 - 50μ"

Contact Type
 A - AE Type
 V - VY Type
 H - HM Type

Insert, Divider
 see diagram



UNIT: m/m
 TOL.: ±0.15 unless otherwise stated