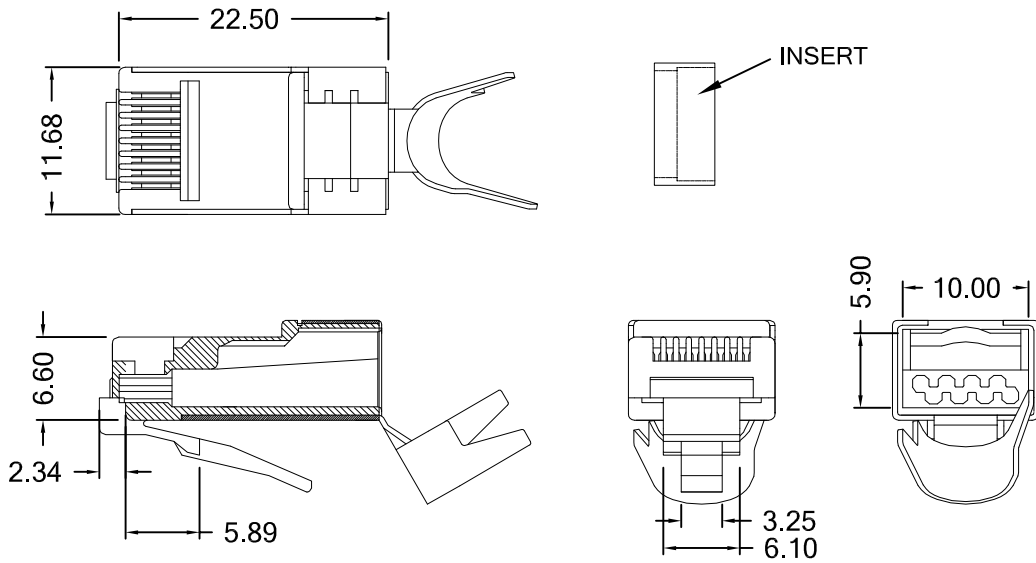


Part Number: S7831



MATERIAL & FINISH

Body: PC. UL94V-2 or UL94V-0, clean
 Insert: ABS
 Contact: copper alloy, underplated 100uin Nickel, and selective gold in contact region, and gold flash on remainder of terminal.

MECHANICAL SPECIFICATIONS

Operating Temperature: -40°C to 85°C
 Mating Cycles: 750 cycles min.

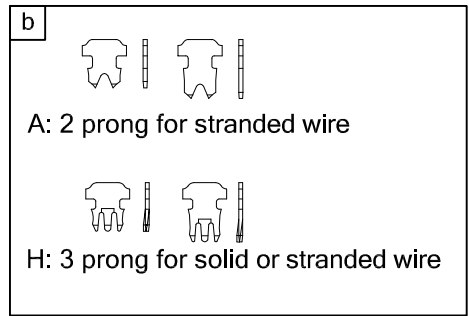
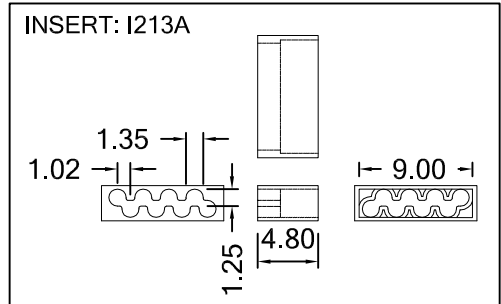
ELECTRICAL SPECIFICATIONS

Voltage: 125 VAC
 Current: 1.5 A
 Contact Resistance: 30 milliohms max.
 Insulation Resistance: 500 megaohms min.
 Dielectric Withstanding Voltage: 1000 VAC

ORDERING INFORMATION

S7831 A F 8 8 8 a b c + I213A

- Gold Plating
 - 1 - GFμ"
 - 2 - 03μ"
 - 3 - 06μ"
 - 4 - 15μ"
 - 5 - 30μ"
 - 6 - 50μ"
- Housing Material
 - A - UL94V-2
 - V - UL94V-0
- Contact Blade
 - A - A type
 - H - H type



Unit: m/m
 Tol.: ±0.20 unless otherwise stated