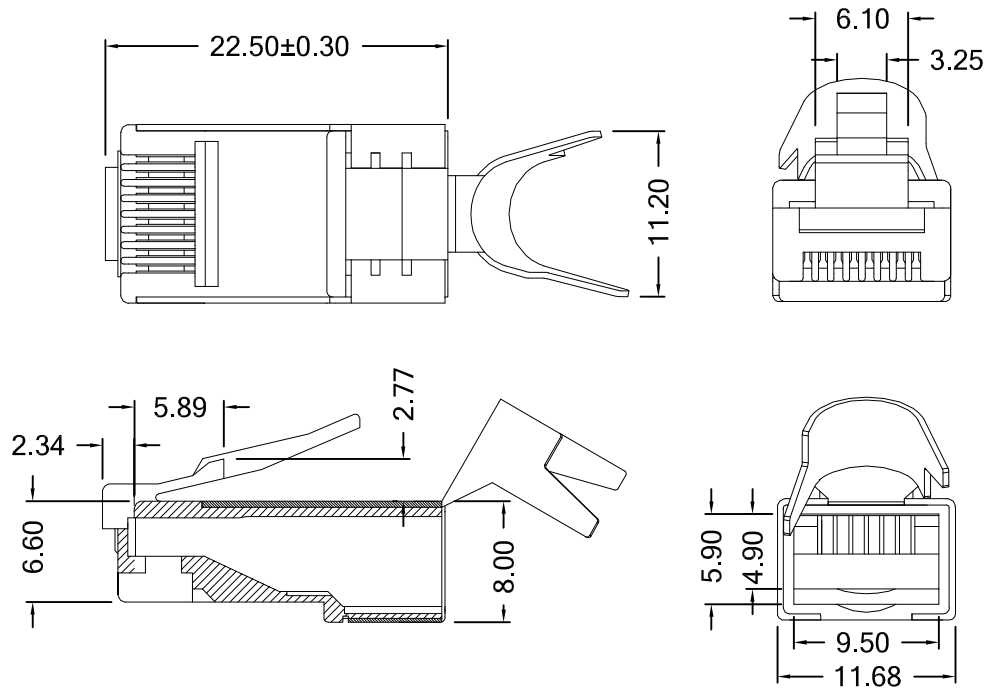


Part Number: S7830



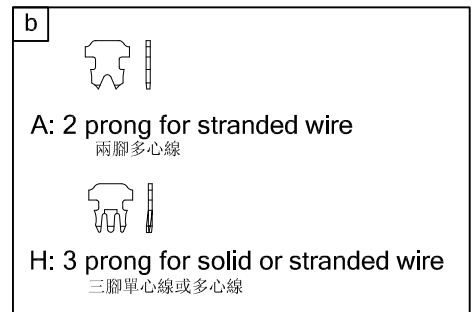
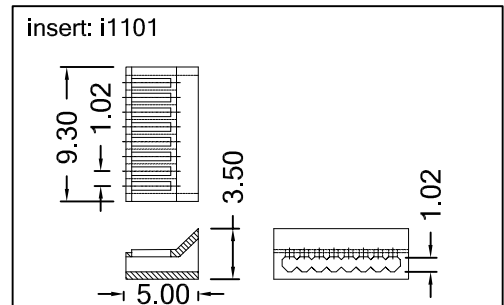
**MATERIAL & FINISH**

Body: PC. UL94V-2 or UL94V-0, clean  
 Contact: copper alloy, underplated 100uin Nickel,  
 and selective gold in contact region,  
 and gold flash on remainder of terminal.

**ORDERING INFORMATION**

S7830 A F 8 8 8 a b c + i1101

- Gold Plating
  - 1: gold flash
  - 2: 3μ"
  - 3: 6μ"
  - 4: 15μ"
  - 5: 30μ"
  - 6: 50μ"
- a: Housing Material (A: UL94V-2, V: UL94V-0)
  - b: Contact Blade (A or H)



巨亮企業有限公司  
 CHU LIANG ENTERPRISE CO.,LTD.  
 TEL:886-2-22023997 FAX:886-2-22023867

E-mail: web@plug.com.tw  
 peter@plug.com.tw  
 Web: http://www.plug.com.tw