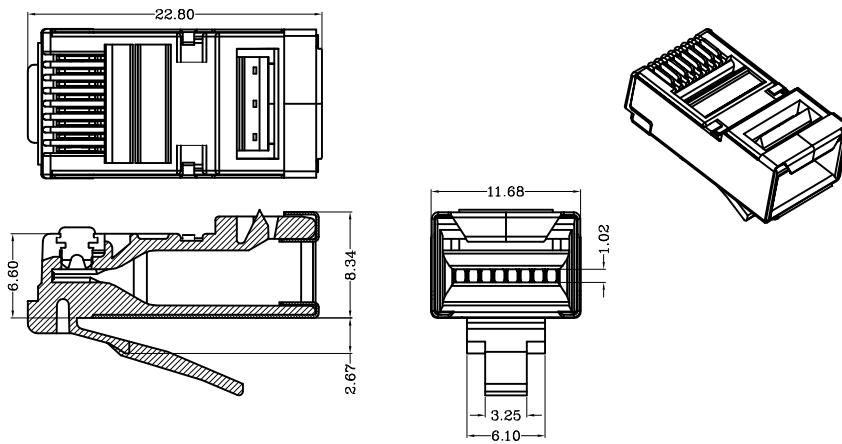


Part Number: S7822



**MATERIAL & FINISH**

Body: PC. clean  
 Contact: copper alloy with gold plated.  
 Shield: copper alloy with nickel plated.

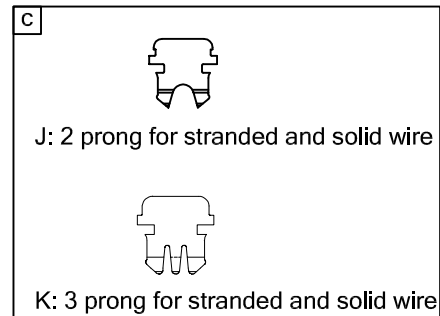
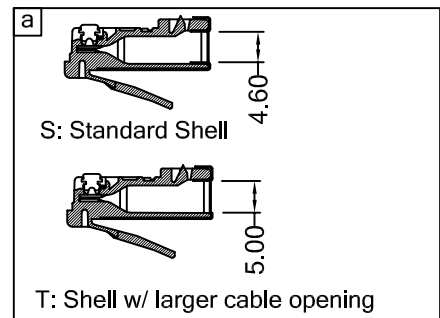
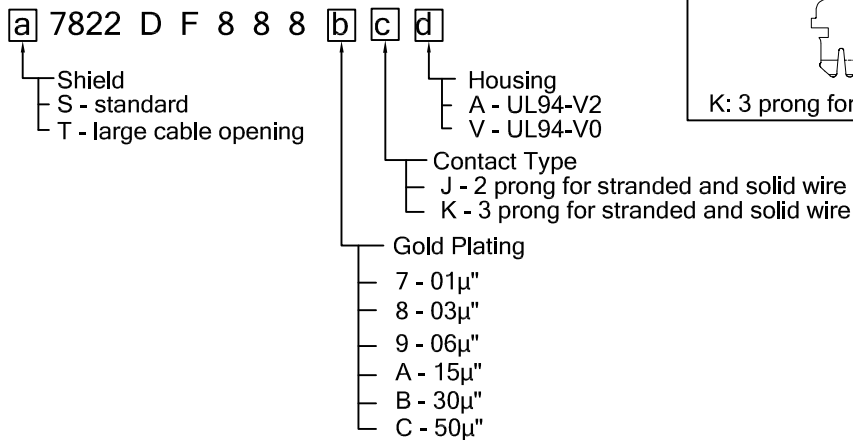
**MECHANICAL SPECIFICATIONS**

Operating Temperature: -40°C to 85°C  
 Mating Cycles: 750 cycles min.

**ELECTRICAL SPECIFICATIONS**

Voltage: 125 VAC  
 Current: 1.5 A  
 Contact Resistance: 30 milliohms max.  
 Insulation Resistance: 500 megaohms min.  
 Dielectric Withstanding Voltage: 1000 VAC

**ORDERING INFORMATION**



UNIT: m/m  
 Tol: ±0.15 unless otherwise stated



巨亮企業有限公司  
 CHU LIANG ENTERPRISE CO.,LTD.  
 TEL:886-2-22023997 FAX:886-2-22023867

E-mail: web@plug.com.tw  
 peter@plug.com.tw  
 Web: http://www.plug.com.tw