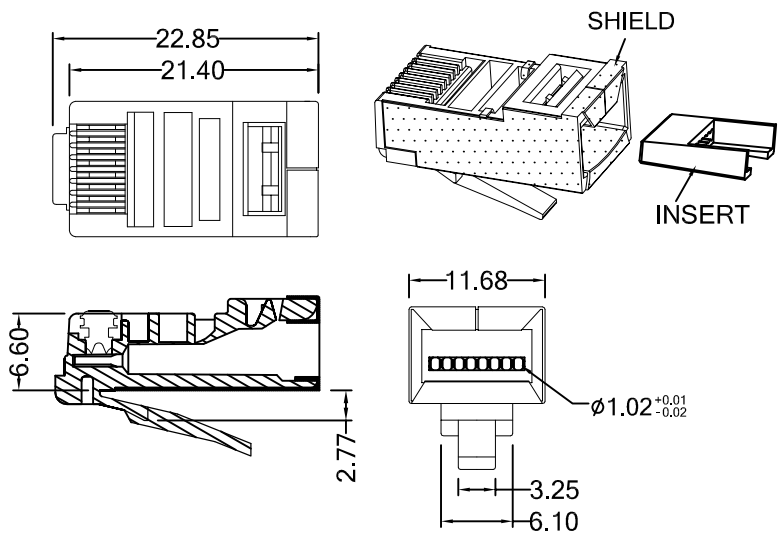


Part Number: S7814



MATERIAL & FINISH

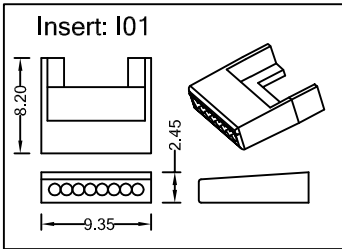
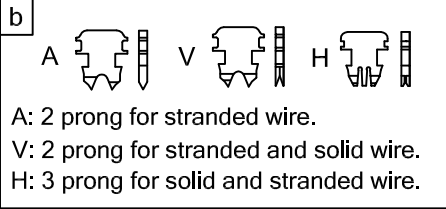
Housing & Insert: PC, UL94V-2, clean
 Contact : Copper alloy plated with gold.
 Shield: Brass with nickel plated.

MECHANICAL SPECIFICATIONS

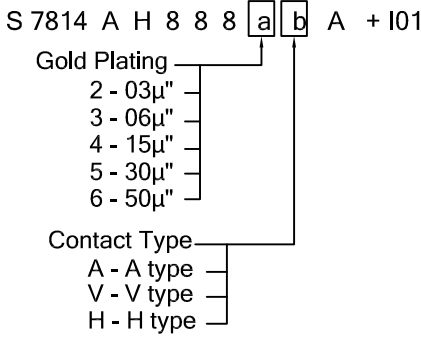
Operating Temperature: -40°C to 85°C
 Mating Cycles: 750 cycles min.

ELECTRICAL SPECIFICATIONS

Voltage: 125 VAC
 Current: 1.5 A
 Contact Resistance: 30 milliohms max.
 Insulation Resistance: 500 megaohms min.
 Dielectric Withstanding Voltage: 1000 VAC



ORDERING INFORMATION



Unit: m/m
 Tol: ±0.15 unless otherwise stated