
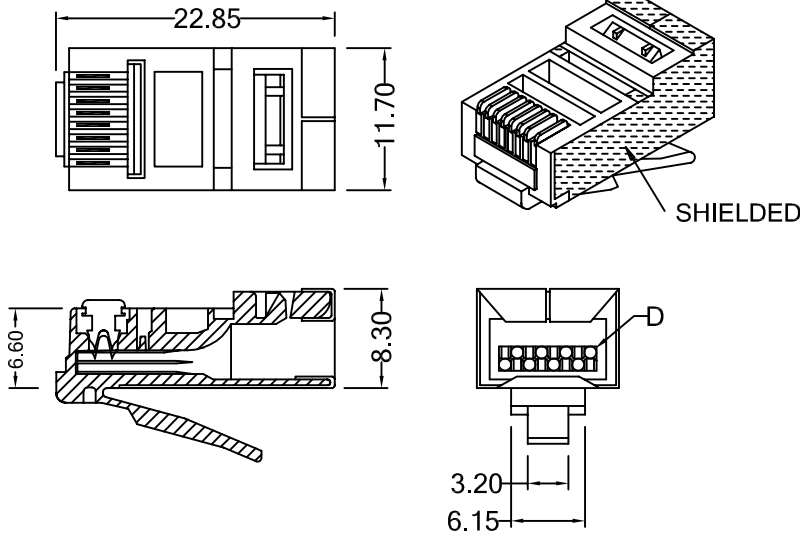


CL100 Series  
Part Number: S7811

Shielded  
2 Row 



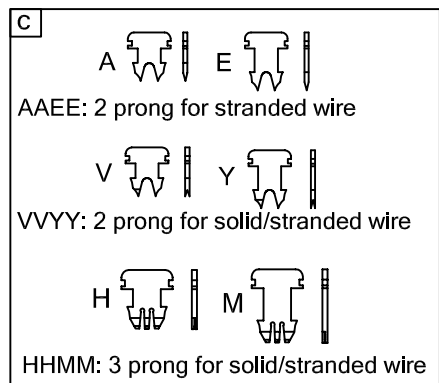
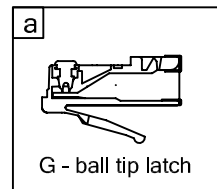
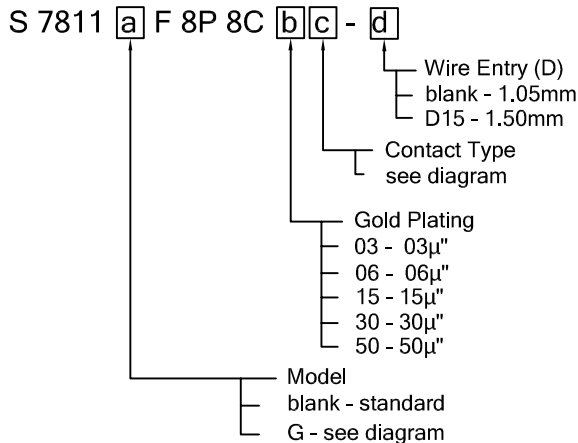
**MATERIAL & FINISH**

Housing: PC. UL94V-2, transparent  
Contact: copper alloy with gold plated.  
Shield: brass with nickel plated

**SPECIFICATION**

Voltage Rating: 125 volts AC, at 1.5 amps.  
Dielectric Withstanding Voltage: 1000 volts AC.  
Insulation Resistance: 500 megaohms. min.  
Termination Resistance: 30 milliohms max  
Durability: 750 cycles.  
Temperature: -40°C to +80°C

**ORDERING INFORMATION**



Unit: m/m  
Tol: ±0.15 unless otherwise stated



巨亮企業有限公司  
CHU LIANG ENTERPRISE CO.,LTD.  
TEL:886-2-22023997 FAX:886-2-22023867

E-mail: web@plug.com.tw  
peter@plug.com.tw  
Web: http://www.plug.com.tw