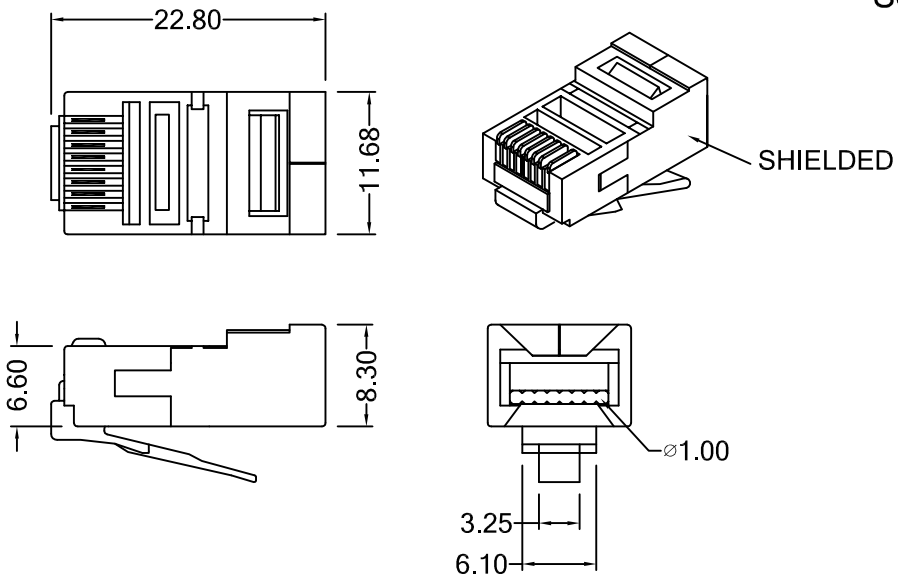


Part Number: S7803
Semi-Shielded



MATERIAL & FINISH

Body: PC. UL94V-2, clean
Contact: copper alloy, selective gold plating
Shield: bronze plated nickel.

UNIT: m / m
TOL.: +/- 0.10

ORDERING INFORMATION

