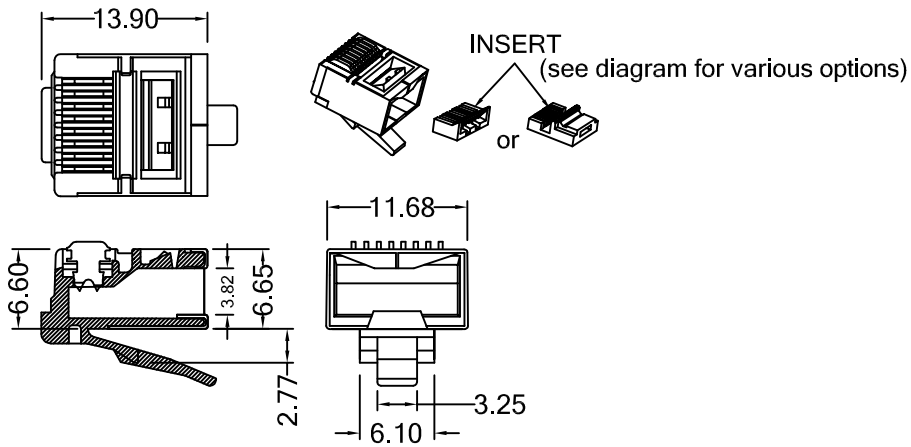


Part Number: S7710



MATERIAL & FINISH

Housing & Insert: PC, UL94V-2, clean
 Contact : Copper alloy plated with gold.
 Shield : Brass with nickel plated.

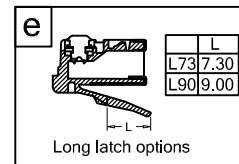
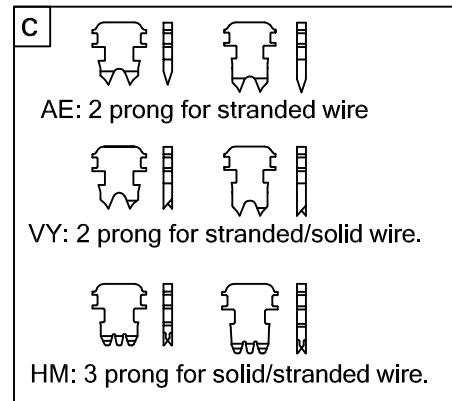
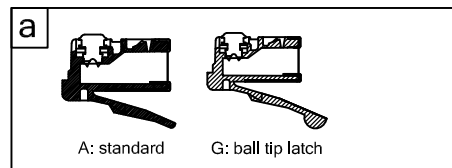
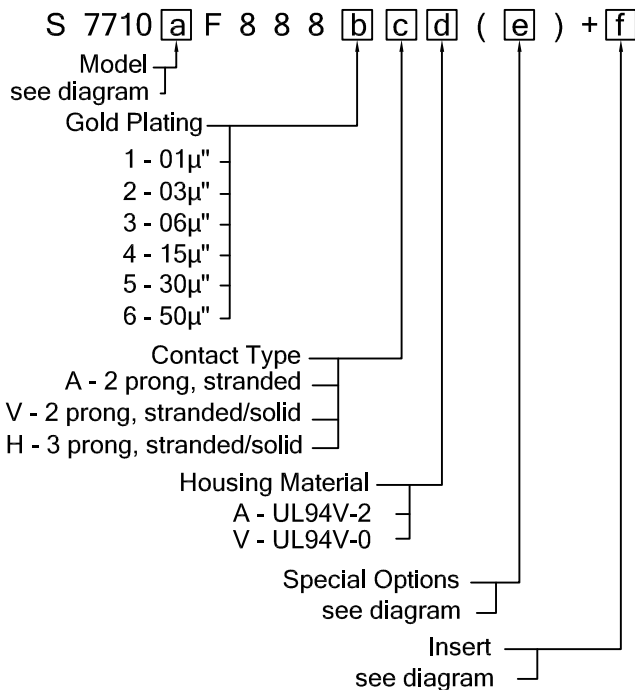
ELECTRICAL SPECIFICATIONS

Voltage: 125 VAC
 Current: 1.5 A
 Contact Resistance: 30 milliohms max.
 Insulation Resistance: 500 megaohms min.
 Dielectric Withstanding Voltage: 1000 VAC

MECHANICAL SPECIFICATIONS

Operating Temperature: -40°C to 85°C
 Mating Cycles: 750 cycles min.

ORDERING INFORMATION

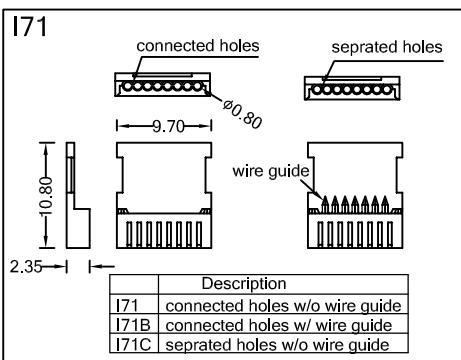
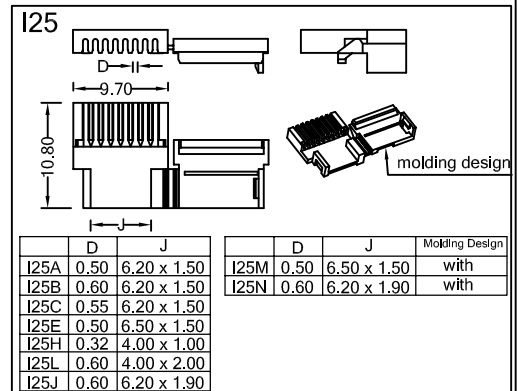
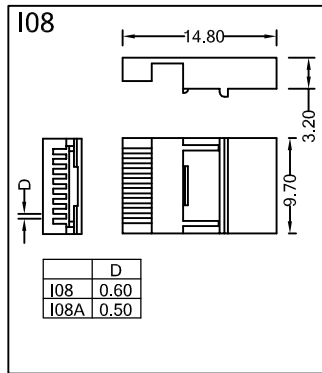
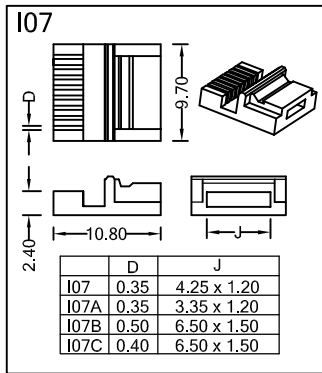
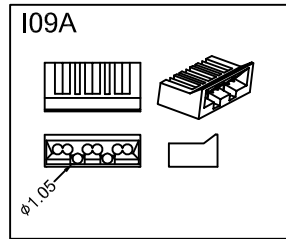
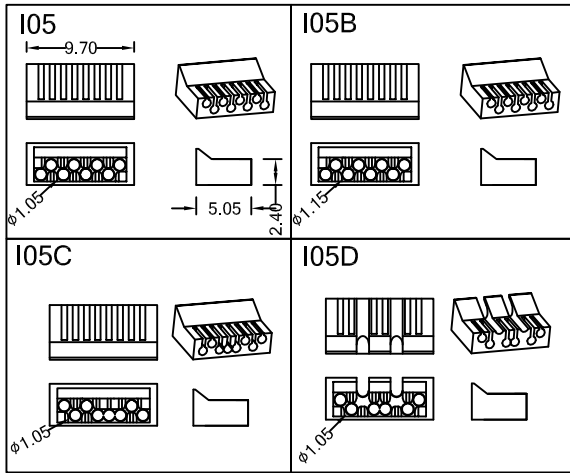


巨亮企業有限公司
 CHU LIANG ENTERPRISE CO.,LTD.
 TEL:886-2-22023997 FAX:886-2-22023867

E-mail: web@plug.com.tw
 peter@plug.com.tw
 Web: http://www.plug.com.tw

Insert Options

Part Number: S7710



巨亮企業有限公司
 CHU LIANG ENTERPRISE CO.,LTD.
 TEL:886-2-22023997 FAX:886-2-22023867

E-mail: web@plug.com.tw
 peter@plug.com.tw
 Web: http://www.plug.com.tw