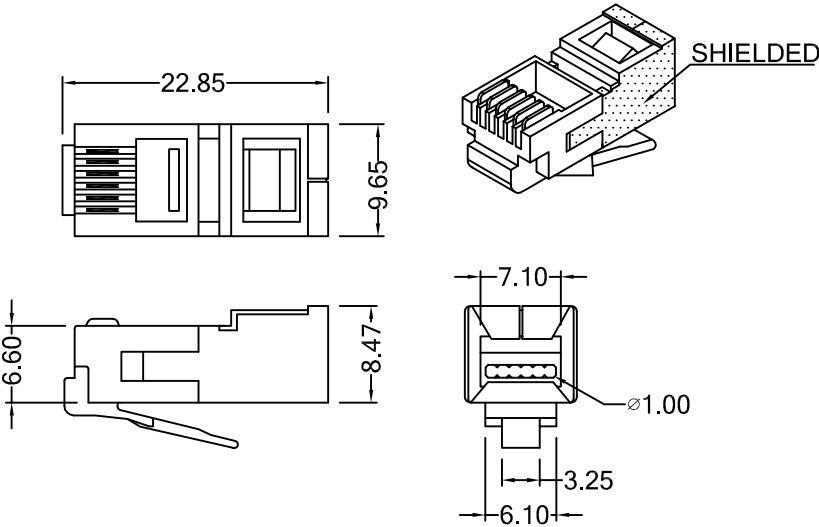


Part Number: C7604
SHIELDED

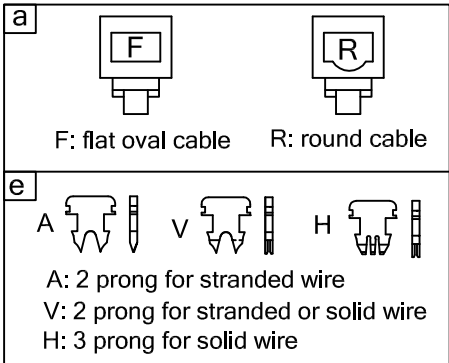


MATERIAL & FINISH

Body: PC. UL94V-2, clean
Contact: copper alloy with gold plated.
Shield: bronze plated nickel.

ORDERING INFORMATION

C7604A [a] [b] [c] [d] [e]
cord egress (F or R) — [a]
position (6P) — [b]
contact (2C,4C or 6C) — [c]
gold plating (03,06,15,30 or 50) u" — [d]
contact blade (AA, VV or HH) — [e]



UNIT: m / m
TOL.: +/- 0.10



巨亮企業有限公司
CHU LIANG ENTERPRISE CO.,LTD.
TEL:886-2-22023997 FAX:886-2-22023867

E-mail:richard@plug.com.tw
Web: http://www.plug.com.tw