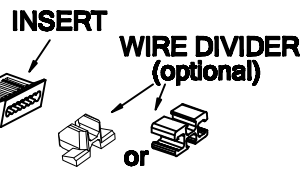
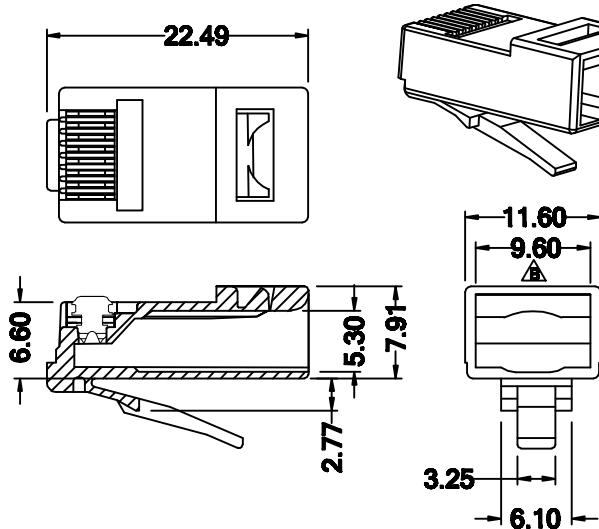


Part Number: 7850



**MATERIAL & FINISH**

Housing & Insert: PC, UL94V-2, clean  
Contact : Copper alloy plated with gold.

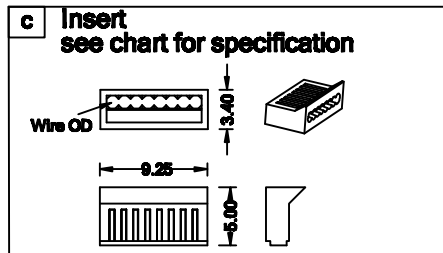
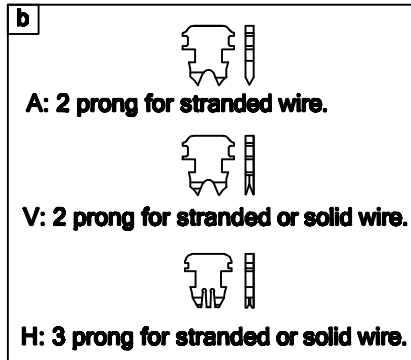
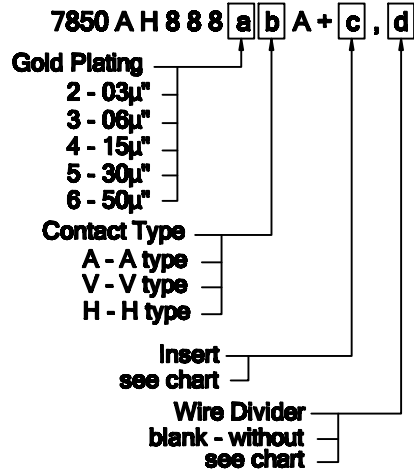
**MECHANICAL SPECIFICATIONS**

Operating Temperature: -40°C to 85°C  
Mating Cycles: 750 cycles min.

**ELECTRICAL SPECIFICATIONS**

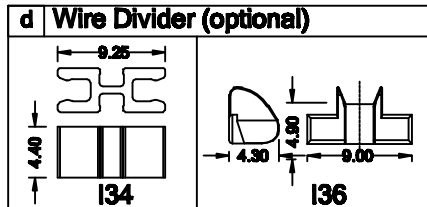
Voltage: 125 VAC  
Current: 1.5 A  
Contact Resistance: 30 milliohms max.  
Insulation Resistance: 500 megaohms min.  
Dielectric Withstanding Voltage: 1000 VAC

**ORDERING INFORMATION**



**Insert Specification (Wire OD)**

wire-trim-first		wire-push-through	
P/N	OD	P/N	OD
I32	1.02mm	I33	1.02mm
I32A	1.10mm	I33B	0.70mm
I32B	0.95mm	I33C	0.90mm
I32D	0.60mm		



B	Dim. 8.90→9.00	20171027
VER	Description	Date

Unit: m/m  
Tol: ±0.15 unless otherwise stated



巨亮企業有限公司  
CHU LIANG ENTERPRISE CO.,LTD.  
TEL:886-2-22023997 FAX:886-2-22023867

E-mail: web@plug.com.tw  
peter@plug.com.tw  
Web: http://www.plug.com.tw