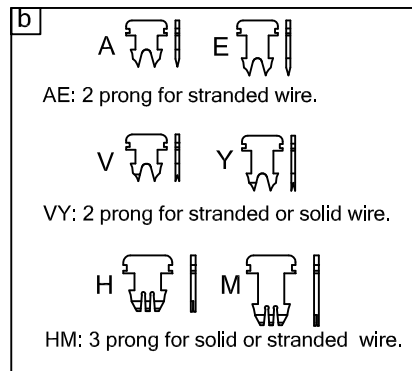
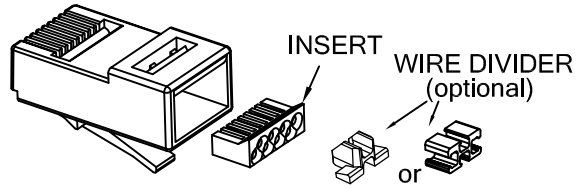
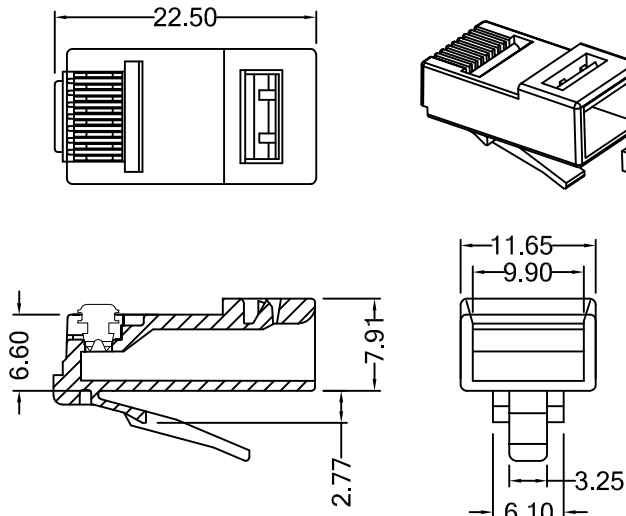


Part Number: 7843



MATERIAL & FINISH

Housing and Insert: PC, UL94V-2, clean
Contact : Copper alloy with gold plated.

ORDER INFORMATION

7843 A F 8 8 8 **a** **b** A + **c**

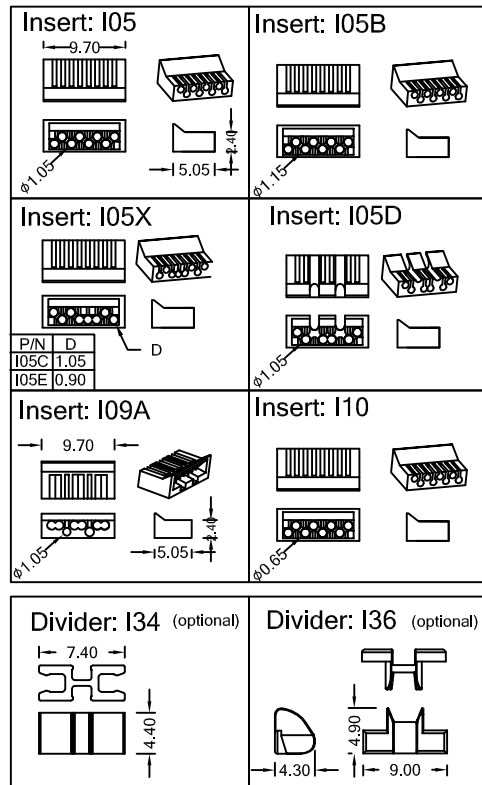
Gold Plating

- 1 - 01 μ "
- 2 - 03 μ "
- 3 - 06 μ "
- 4 - 15 μ "
- 5 - 30 μ "
- 6 - 50 μ "

Contact Type

- A - AE Type
- V - VY Type
- H - HM Type

Insert, Divider
see diagram



UNIT: m/m

TOL.: ± 0.15 unless otherwise stated



巨亮企業有限公司
CHU LIANG ENTERPRISE CO.,LTD.

E-mail: web@plug.com.tw
peter@plug.com.tw

TEL: 886-2-22023997 FAX: 886-2-22023867 Web: http://www.plug.com.tw