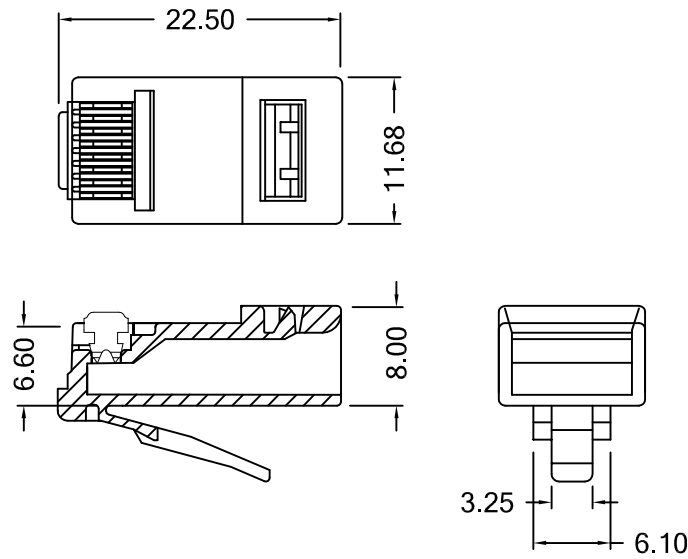
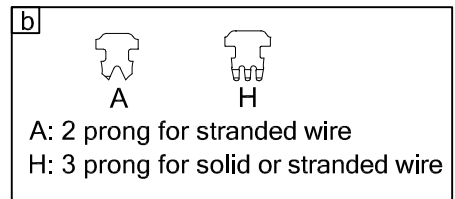


Part Number: 7833

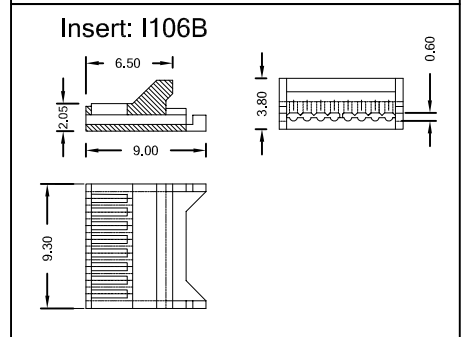
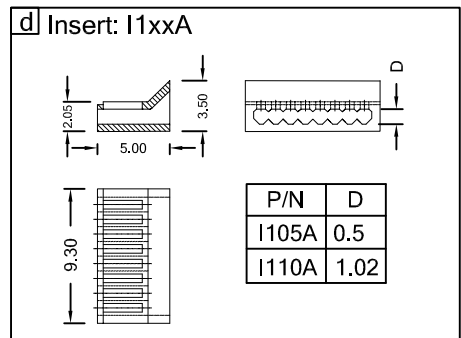
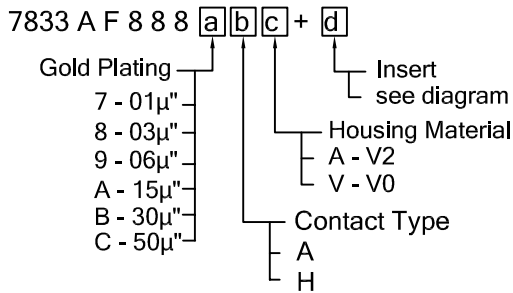


**MATERIAL & FINISH**

Body: PC. UL94V-2 or UL94V-0, transparent  
 Insert: PC. UL94V-2, transparent  
 Contact: copper alloy, underplated 100μ" nickel;  
 hard gold on contact area,  
 and gold flash on remainder of terminal.



**ORDERING INFORMATION**



巨亮企業有限公司  
 CHU LIANG ENTERPRISE CO.,LTD.  
 TEL:886-2-22023997 FAX:886-2-22023867

E-mail: web@plug.com.tw  
 peter@plug.com.tw  
 Web: http://www.plug.com.tw