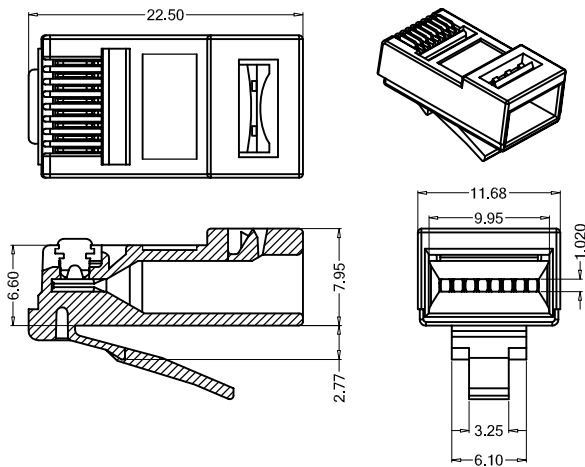


Part Number: 7822



MATERIAL & FINISH

Body: PC, UL94V-2, or UL94V-0, clean
 Contact: copper alloy, underplated with Nickel,
 and gold plated on contact region.

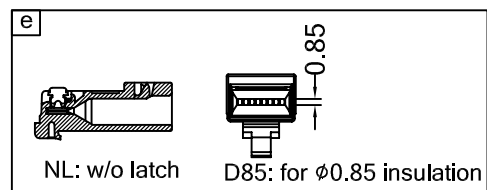
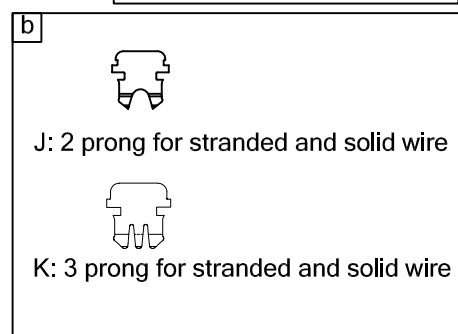
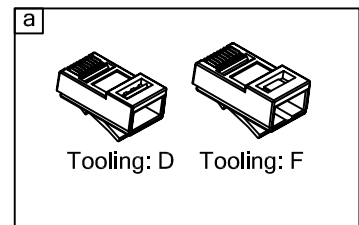
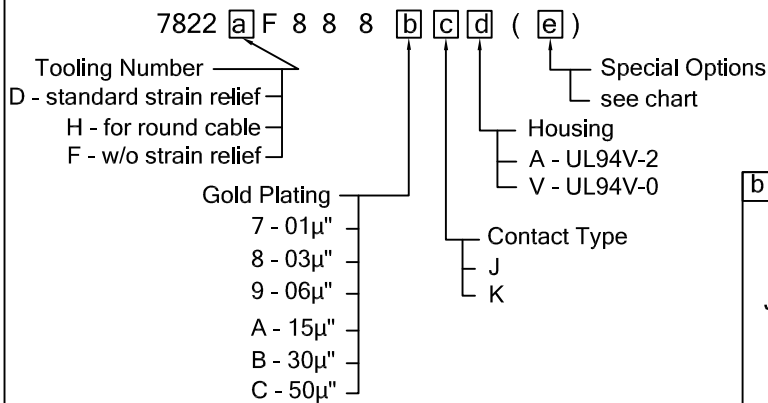
ELECTRICAL SPECIFICATIONS

Voltage: 125 VAC
 Current: 1.5 A
 Contact Resistance: 30 milliohms max.
 Insulation Resistance: 500 megaohms min.
 Dielectric Withstanding Voltage: 1000 VAC

MECHANICAL SPECIFICATIONS

Operating Temperature: -40°C to 85°C
 Mating Cycles: 750 cycles min.

ORDERING INFORMATION



巨亮企業有限公司
 CHU LIANG ENTERPRISE CO.,LTD.
 TEL:886-2-22023997 FAX:886-2-22023867

E-mail: web@plug.com.tw
 peter@plug.com.tw
 Web: http://www.plug.com.tw