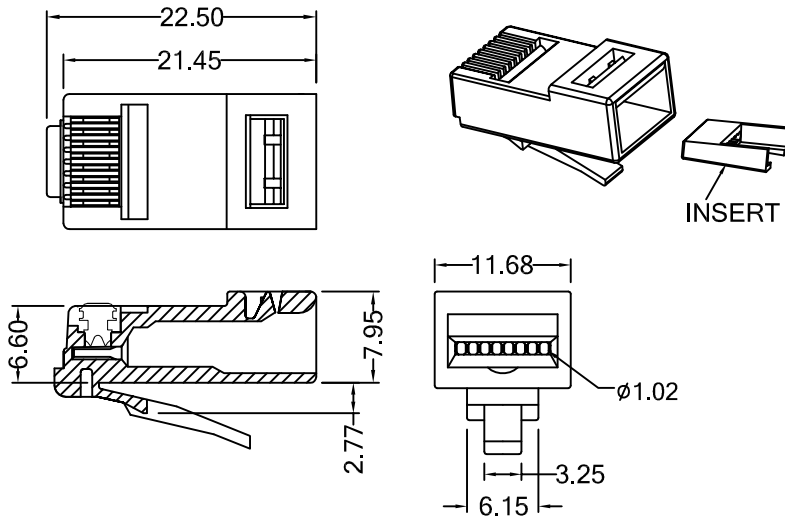


Part Number: 7814



MATERIAL & FINISH

Housing & Insert: PC, UL94V-2, clean
Contact : Copper alloy plated with gold.

MECHANICAL SPECIFICATIONS

Operating Temperature: -40°C to 85°C
Mating Cycles: 750 cycles min.

ELECTRICAL SPECIFICATIONS

Voltage: 125 VAC
Current: 1.5 A
Contact Resistance: 30 milliohms max.
Insulation Resistance: 500 megaohms min.
Dielectric Withstanding Voltage: 1000 VAC

ORDERING INFORMATION

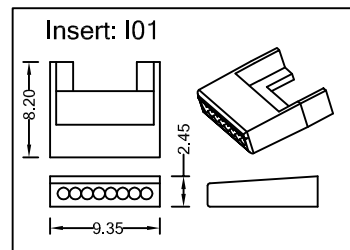
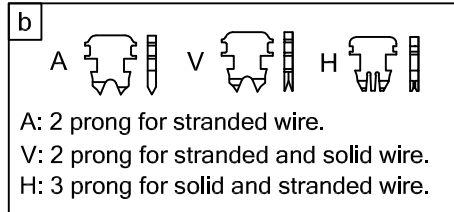
7814 A H 8 8 8 **a** **b** A + I01

Gold Plating

- 2 - 03 μ "
- 3 - 06 μ "
- 4 - 15 μ "
- 5 - 30 μ "
- 6 - 50 μ "

Contact Type

- A - A type
- V - V type
- H - H type



Unit: m/m
Tol: ± 0.15 unless otherwise stated



巨亮企業有限公司
 CHU LIANG ENTERPRISE CO.,LTD.
 TEL:886-2-22023997 FAX:886-2-22023867

E-mail: web@plug.com.tw
 peter@plug.com.tw
 Web: http://www.plug.com.tw