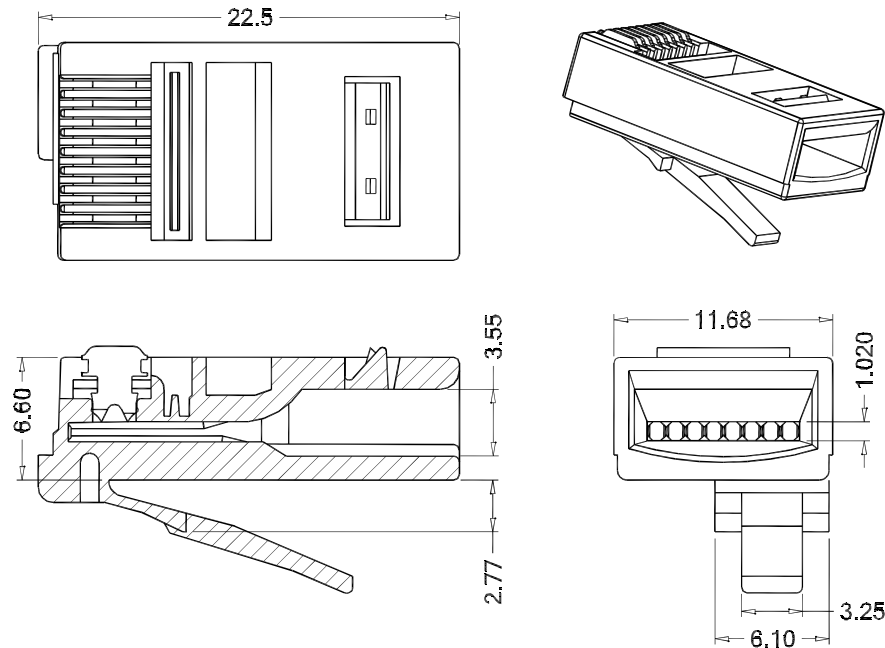


Part Number: 7806



MATERIAL & FINISH

Body: PC. UL94V-2, clean
 Contact: copper alloy, underplated 100uin Nickel, and selective gold in contact region, and gold flash on remainder of terminal.

SPECIFICATION

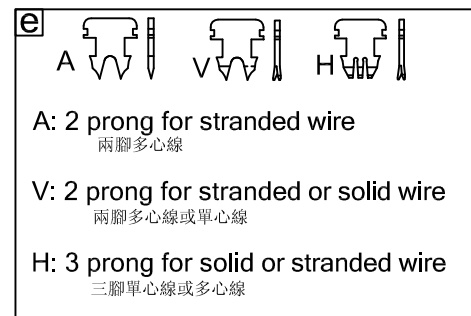
Voltage Rating: 125 volts AC, at 1.5 amps.
 Dielectric Withstanding Voltage: 1000 volts AC.
 Insulation Resistance: 1000 megohms min.
 Contact Resistance: 50 milliohms max.
 Durability: 750 cycles.
 Temp. Rating: -40°C to +80 °C

ORDERING INFORMATION

7806 A R 8 8 8 a b A

Gold Plating
 7: Gold Flash
 8: 03μ"
 9: 06μ"
 A: 15μ"
 B: 30μ"
 C: 50μ"

Contact Blade
 (A, V, or H type)



UNIT: m / m
 TOL.: +/- 0.10



巨亮企業有限公司
 CHU LIANG ENTERPRISE CO.,LTD.
 TEL:886-2-22023997 FAX:886-2-22023867

E-mail: peter@plug.com.tw
 Web: http://www.plug.com.tw