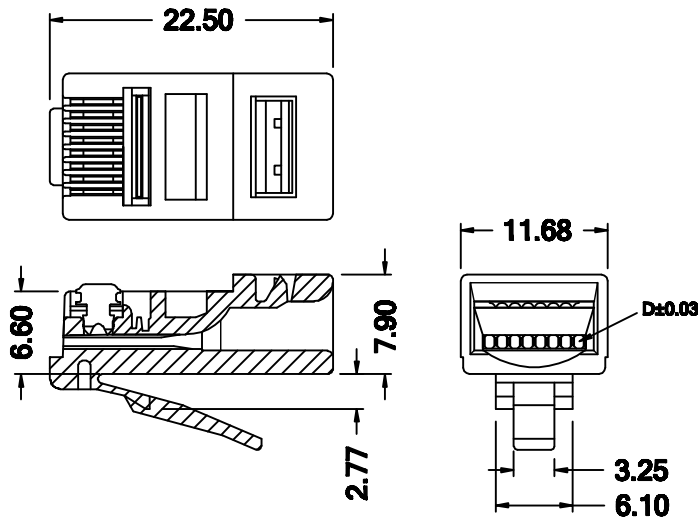


Part Number: 7801S  
Wire-Thru™ Type



**MATERIAL & FINISH**

Body: PC. UL94V-2 or UL94V-0, clean  
Contact: Copper alloy, underplated 100μ" nickel, with gold plated in contact region.

**SPECIFICATION**

Voltage Rating: 125 volts AC, at 1.5 amps.  
Dielectric Withstanding Voltage: 1000 volts AC.  
Insulation Resistance: 1000 megaohms min.  
Contact Resistance: 50 milliohms max.  
Durability: 750 cycles.  
Temp. Rating: -40°C to +85°C

**ORDERING INFORMATION**

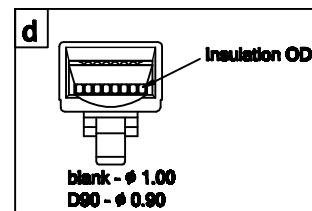
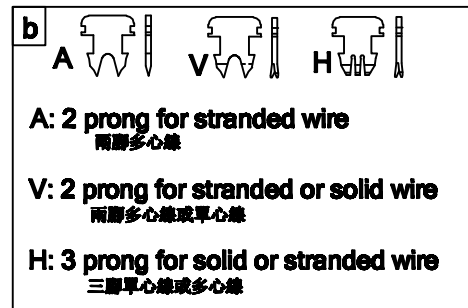
7801 S R 8 8 8 a b c - d

Gold Plating  
2 - 03μ"  
3 - 06μ"  
4 - 15μ"  
5 - 30μ"  
6 - 50μ"  
7 - 01μ"

Additional Options  
blank - for ø1.02mm insulation  
D90 - for ø0.90mm insulation

Material  
A - UL94V-2  
V - UL94V-0

Contact Type  
A - A type  
V - V type  
H - H type



Unit: m/m  
Tol: ±0.10 unless otherwise stated



巨亮企業有限公司  
CHU LIANG ENTERPRISE CO.,LTD.  
TEL:886-2-22023997 FAX:886-2-22023867

E-mail: web@plug.com.tw  
peter@plug.com.tw  
Web: http://www.plug.com.tw