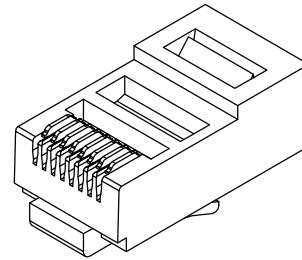
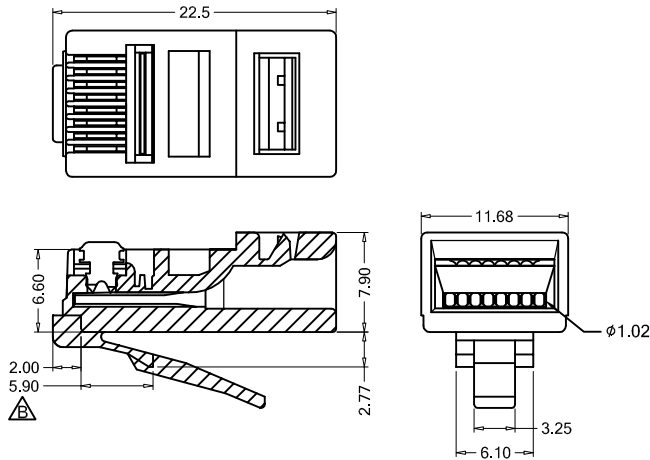


Part Number: 7801A



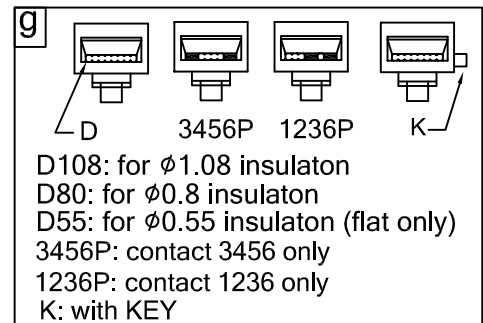
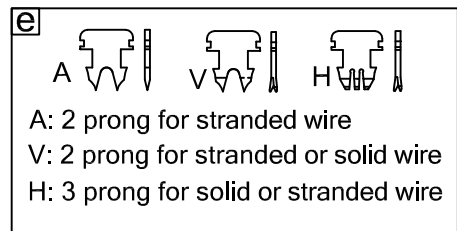
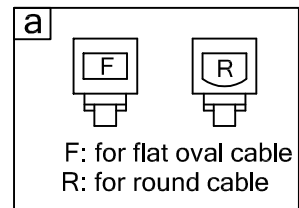
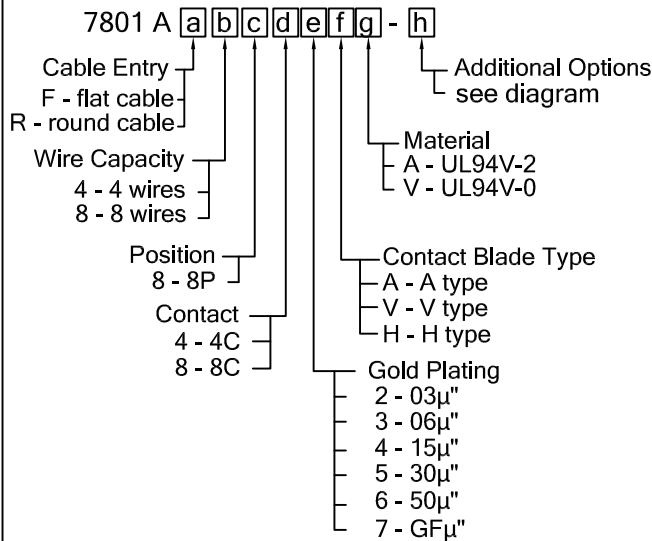
MATERIAL & FINISH

Body: PC. UL94V-2 or UL94V-0, clean
 Contact: copper alloy, underplated 100uin Nickel, and selective gold in contact region, and gold flash on remainder of terminal.

SPECIFICATION

Voltage Rating: 125 volts AC, at 1.5 amps.
 Dielectric Withstanding Voltage: 1000 volts AC.
 Insulation Resistance: 1000 megohms min.
 Contact Resistance: 50 milliohms max.
 Durability: 750 cycles.
 Temp. Rating: -40°C to +85 °C

ORDERING INFORMATION



B	Add dimension	20171123
VER	Description	Date

Unit: m/m
 Tol: ±0.15 unless otherwise stated


 巨亮企業有限公司
 CHU LIANG ENTERPRISE CO.,LTD.
 TEL:886-2-22023997 FAX:886-2-22023867 Web: http://www.plug.com.tw

E-mail: peter@plug.com.tw
 richard@plug.com.tw