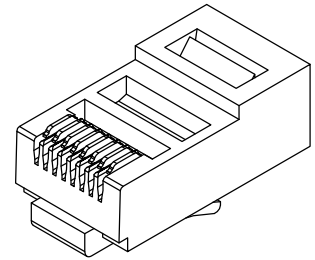
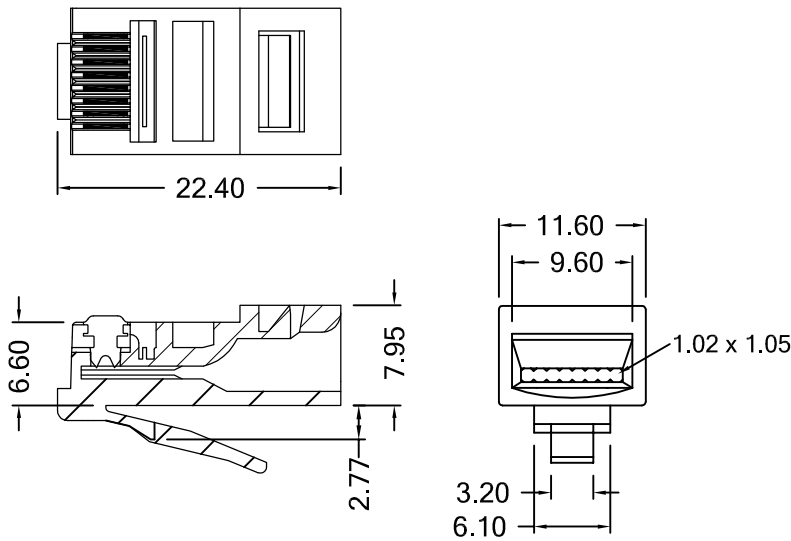


Part Number: 7801



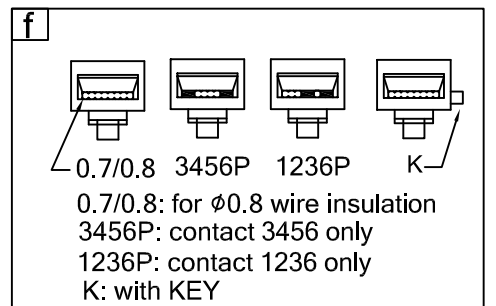
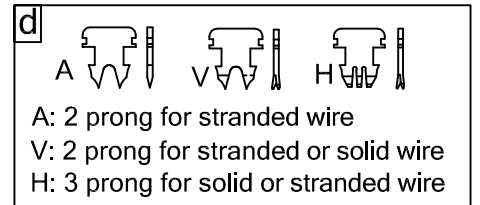
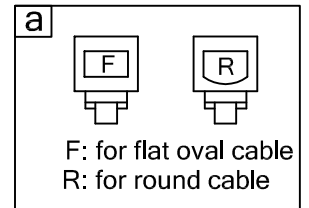
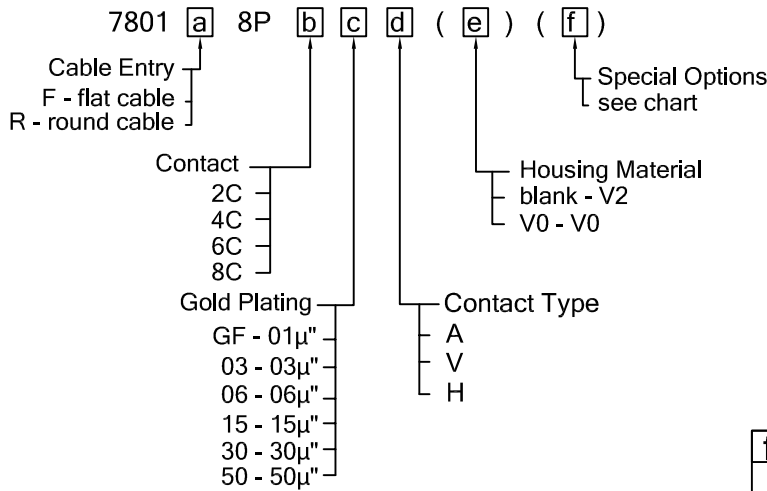
**MATERIAL & FINISH**

Body: PC. UL94V-2 or UL94V-0, transparent  
 Contact: Copper alloy  
 Plating: Gold plated over nickel.

**SPECIFICATION**

Voltage Rating: 125 volts AC, at 1.5 amps.  
 Dielectric Withstanding Voltage: 1000 volts AC.  
 Insulation Resistance: 500 megohms. MIN  
 Termination Resistance: 30 milliohms max  
 Durability: 750 cycles.  
 Temperature: -40°C to +80°C

**ORDERING INFORMATION**



Unit: m/m  
 Tol: ±0.15 unless otherwise stated



巨亮企業有限公司  
 CHU LIANG ENTERPRISE CO.,LTD.  
 TEL:886-2-22023997 FAX:886-2-22023867

E-mail: web@plug.com.tw  
 peter@plug.com.tw  
 Web: http://www.plug.com.tw