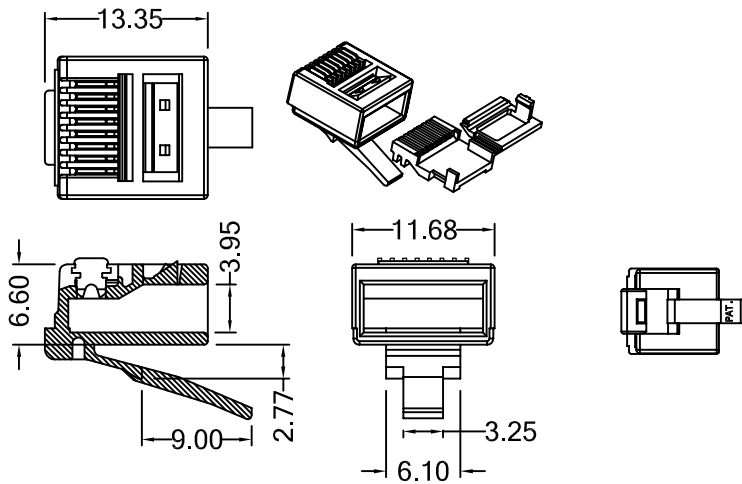


Part Number: 7743



MATERIAL & FINISH

Body: PC, UL94V-2, or UL94V-0, clean
 Contact: Copper alloy with gold plated

MECHANICAL SPECIFICATIONS

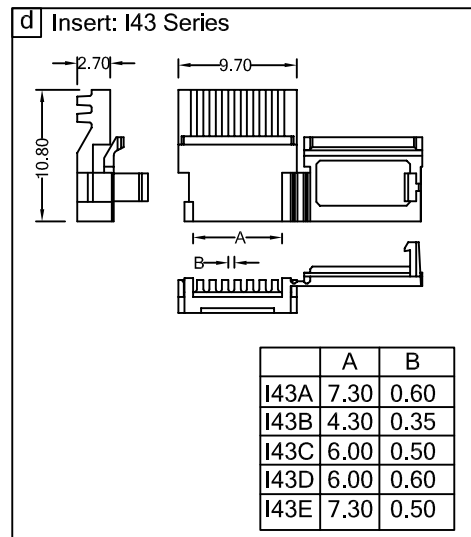
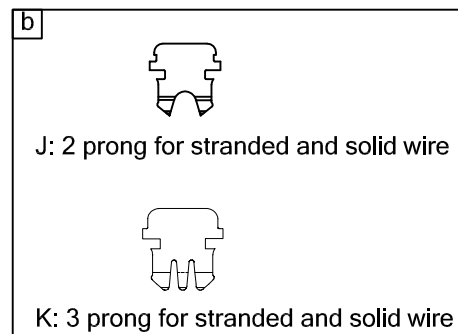
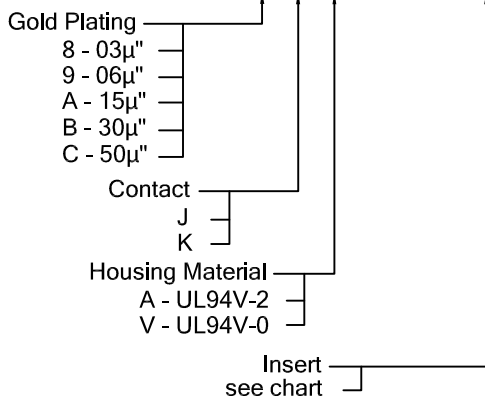
Operating Temperature: -40°C to 85°C
 Mating Cycles: 750 cycles min.

ELECTRICAL SPECIFICATIONS

Voltage: 125 VAC
 Current: 1.5 A
 Contact Resistance: 30 milliohms max.
 Insulation Resistance: 500 megaohms min.
 Dielectric Withstanding Voltage: 1000 VAC

ORDERING INFORMATION

7743 A F 8 8 8 [a] [b] [c] - L90 + [d]



Unit: m/m
 Tol: ±0.15 unless otherwise stated



巨亮企業有限公司
 CHU LIANG ENTERPRISE CO.,LTD.
 TEL:886-2-22023997 FAX:886-2-22023867

E-mail: web@plug.com.tw
 peter@plug.com.tw
 Web: http://www.plug.com.tw