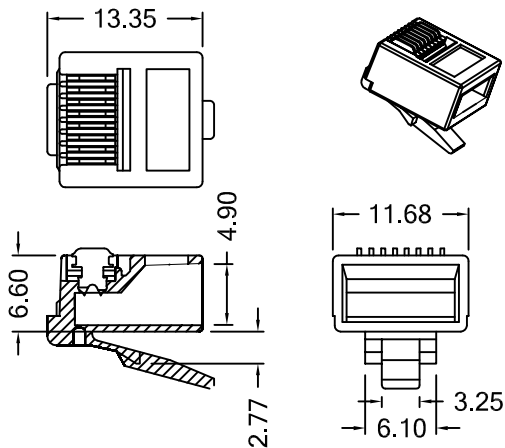


Part Number: 7736



MATERIAL & FINISH

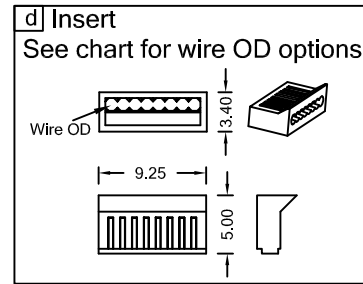
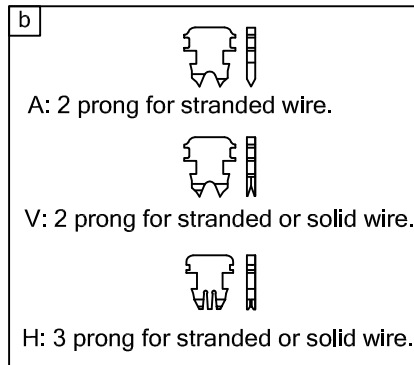
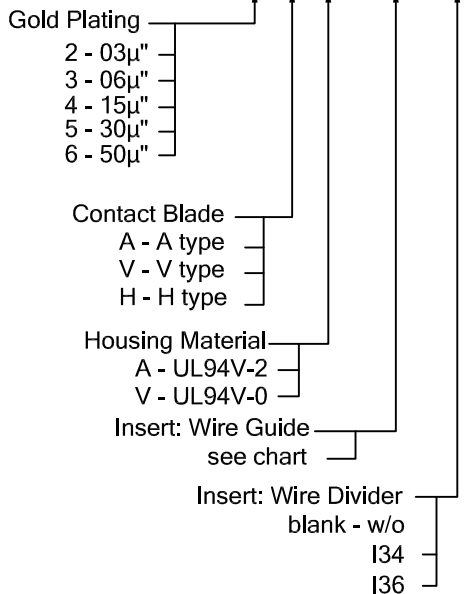
Housing & Insert: PC. UL94V-2, clean
 Contact : Copper alloy plated with gold.
 Shielded: Brass with nickel plated.

SPECIFICATION

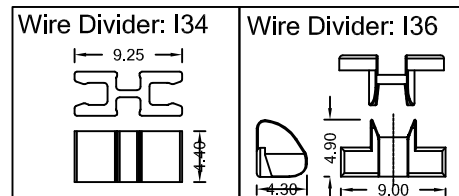
Voltage: 125 VAC
 Current: 1.5 A
 Contact Resistance: 30 milliohms max.
 Insulation Resistance: 500 megaohms min.
 Dielectric Withstanding Voltage: 1000 VAC
 Operating Temperature: -40°C to 85°C
 Mating Cycles: 750 cycles min.

ORDERING INFORMATION

7736 A F 8 8 8 a b c + d , e



Code	Wire OD	Type
I32	1.02mm	wire-trim-first type
I32A	1.10mm	wire-trim-first type
I32B	0.95mm	wire-trim-first type
I33	1.02mm	wire-push-through type
I33A	0.70mm	wire-push-through type
I33C	0.90mm	wire-push-through type



Unit: m/m
 Tol: ±0.15 unless otherwise stated



巨亮企業有限公司
 CHU LIANG ENTERPRISE CO.,LTD.
 TEL:886-2-22023997 FAX:886-2-22023867

E-mail: web@plug.com.tw
 peter@plug.com.tw

Web: http://www.plug.com.tw