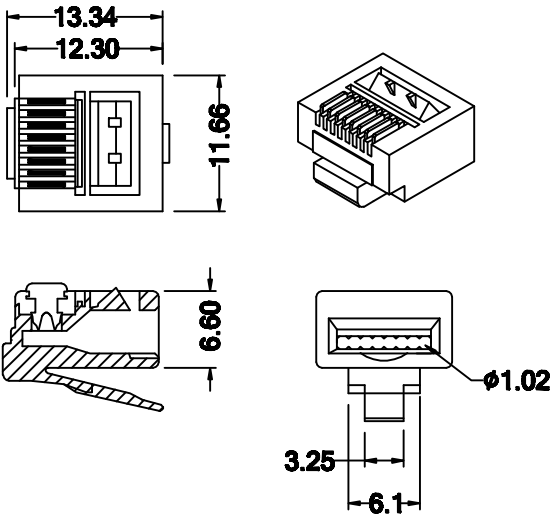
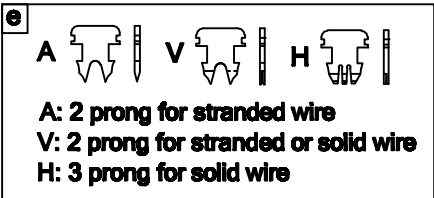


Part Number: 7708



MATERIAL & FINISH

Body: PC, UL94V-2, clean
Contact: Copper alloy with gold plated.



ORDERING INFORMATION

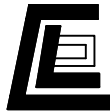
7708 H 8P 8C **a** **b**

- Gold Plating
- 07 - 01U"
- 03 - 03U"
- 06 - 06U"
- 15 - 15U"
- 30 - 30U"
- 50 - 50U"

Contact Type
see diagram

Unit: m/m

Tol: ±0.25 unless otherwise stated



巨亮企業有限公司
CHU LIANG ENTERPRISE CO.,LTD.
TEL:886-2-22023997 FAX:886-2-22023867

E-mail: web@plug.com.tw

Web: <http://www.plug.com.tw>