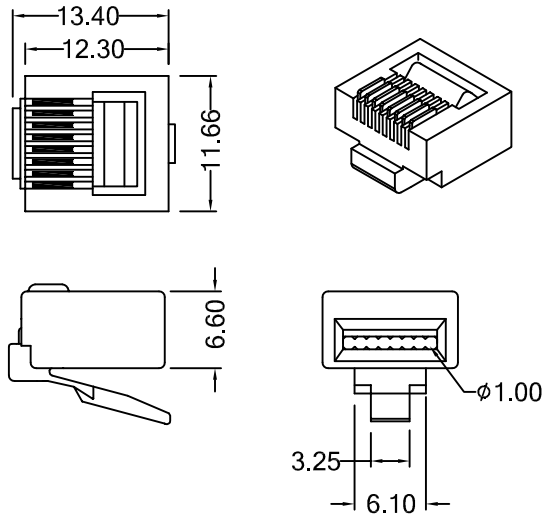


Part Number: 7701



MATERIAL & FINISH

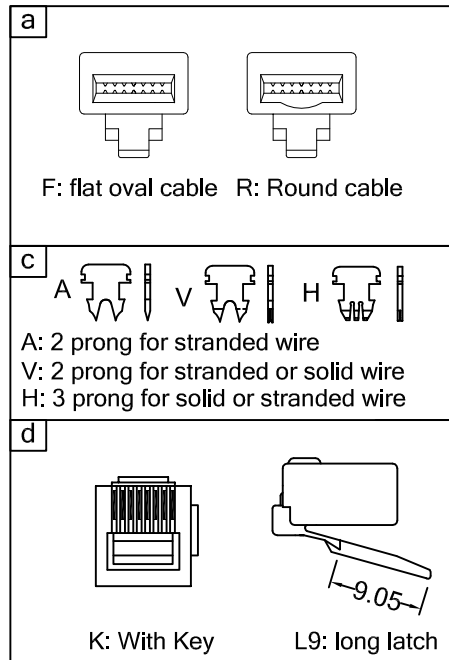
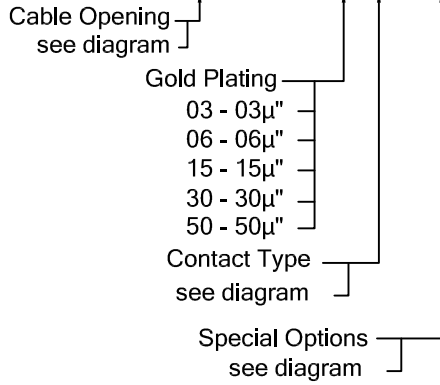
Body: PC. UL94V-2, clean
 Contact: Copper alloy
 Plating: Gold plated over nickel.

ELECTRICAL SPECIFICATIONS

Voltage: 125 VAC
 Current: 1.5 A
 Contact Resistance: 30 milliohms max.
 Insulation Resistance: 500 megaohms min.
 Dielectric Withstanding Voltage: 1000 VAC

ORDERING INFORMATION

7701 [a] 8P 8C [b] [c] ([d])



Unit: m/m
 Tol: ±0.15 unless otherwise stated



巨亮企業有限公司
 CHU LIANG ENTERPRISE CO.,LTD.
 TEL:886-2-22023997 FAX:886-2-22023867

E-mail: web@plug.com.tw
 peter@plug.com.tw
 Web: http://www.plug.com.tw