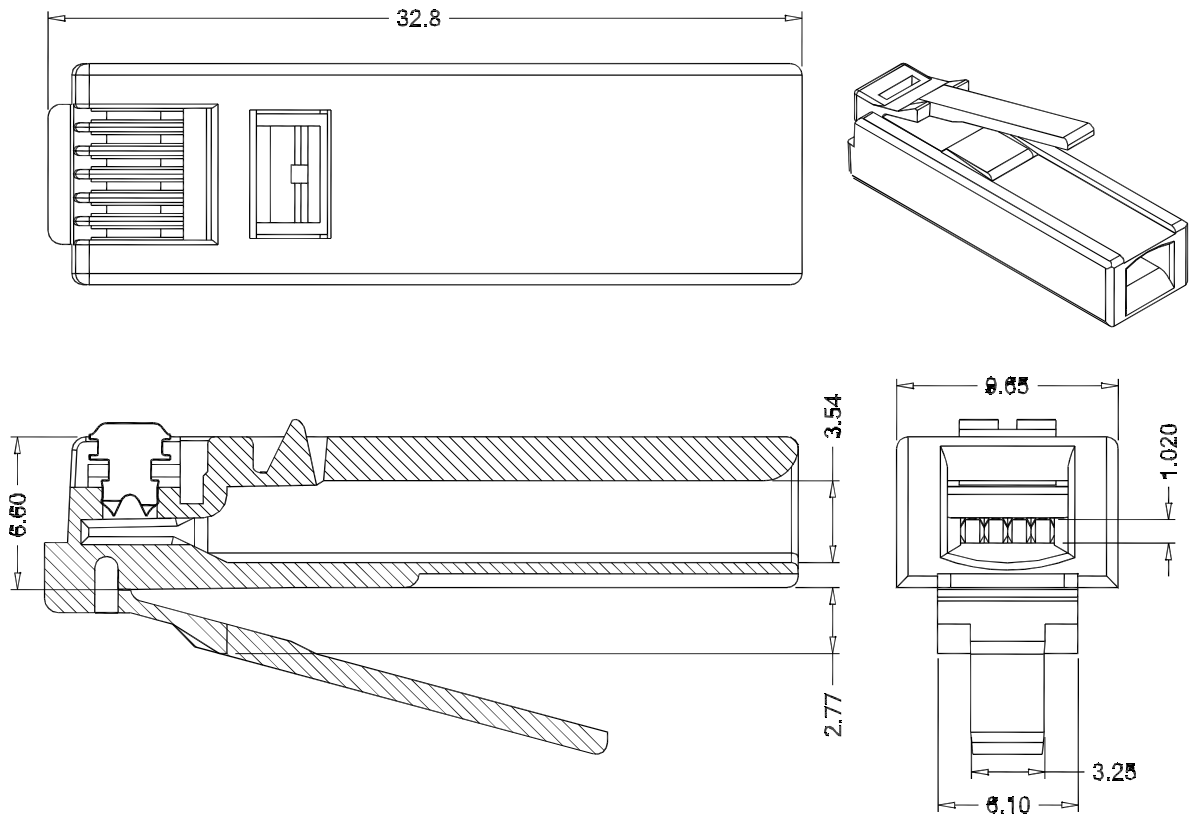
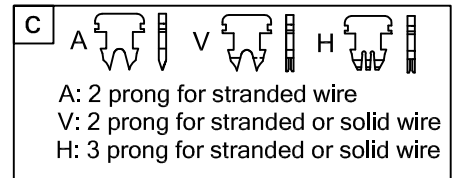


Part Number: 7619



MATERIAL & FINISH

Body: PC. UL94V-2 or UL94V-0, clean
 Contact: copper alloy, underplated nickel,
 and selective gold in contact region,
 and gold flash on remainder of terminal.



ORDERING INFORMATION

7619 A R 4 a b c d e

Code Egress (R: round cable)
 Wire Capacity (4: four wires)
 Contact Capacity (4: four contacts, 6: six contacts)
 Contact Quantity (4: four contacts, 6: six contacts)

Housing Material (A: V2, V: V0)
 Contact Type (A, V, or H)
 Gold Plating (2: 3μ", 3: 6μ", 4: 15μ", 5: 30μ", 6: 50μ")



巨亮企業有限公司
 CHU LIANG ENTERPRISE CO.,LTD.
 TEL: 886-2-22023997 FAX: 886-2-22023867

E-mail: richard@plug.com.tw
 peter@plug.com.tw

WEB: <http://www.plug.com.tw>