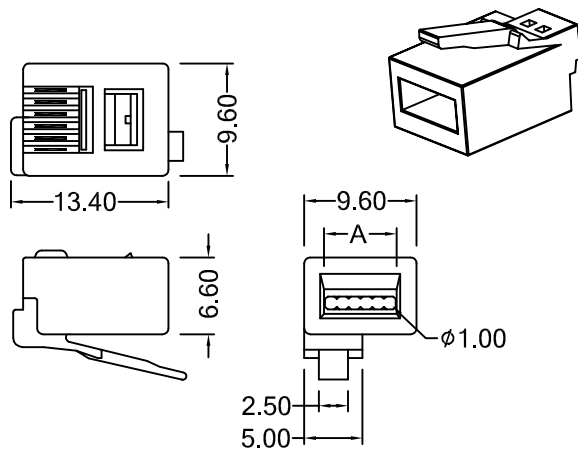


Part Number: 7615
Offset Latch (NXT Type)

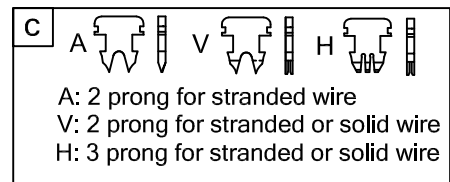
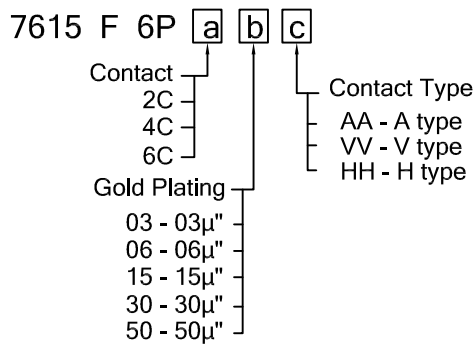


	A
6P4C	5.20
6P6C	7.10

MATERIAL & FINISH

Body: PC. UL94V-2, clean
Contact: copper alloy with gold plated.

ORDERING INFORMATION



UNIT: m / m
TOL.: +/- 0.10



巨亮企業有限公司
CHU LIANG ENTERPRISE CO.,LTD.
TEL:886-2-22023997 FAX:886-2-22023867

E-mail: peter@plug.com.tw
richard@plug.com.tw
Web: http://www.plug.com.tw