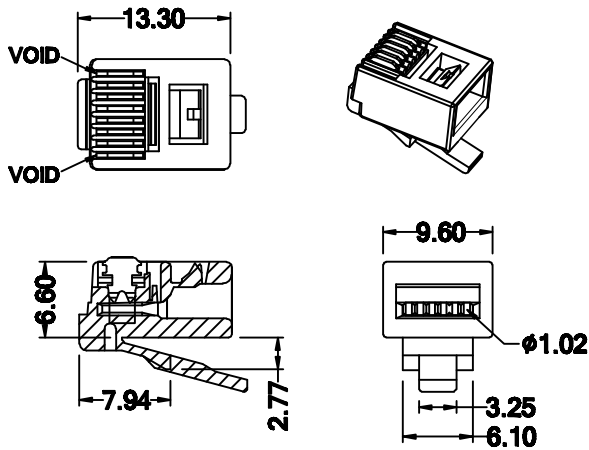


CL100 Series
Part Number: 7612



MATERIAL & FINISH

Body: PC. UL94V-2, clean
Contact: copper alloy plated with gold.

SPECIFICATION

Voltage Rating: 125 volts AC, at 1.5 amps.
Dielectric Withstanding Voltage: 1000 volts AC.
Insulation Resistance: 500 megohms min.
Termination Resistance: 35 milliohms max
Durability: 750 cycles.
Temp. Rating: -40 °C to +85 °C

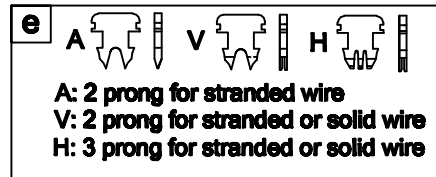
ORDERING INFORMATION

7612 F 6P **a** **b** **c**

Contact
 2C
 4C
 6C

Gold Plating
 01 - 01U"
 03 - 03U"
 06 - 06U"
 15 - 15U"
 30 - 30U"
 50 - 50U"

Contact Type
 AA - A type
 VV - V type
 HH - H type



Unit: m/m
Tol: ±0.15 unless otherwise stated



巨亮企業有限公司
CHU LIANG ENTERPRISE CO.,LTD.
TEL:886-2-22023997 FAX:886-2-22023867 Web: <http://www.plug.com.tw>

E-mail: web@plug.com.tw
peter@plug.com.tw