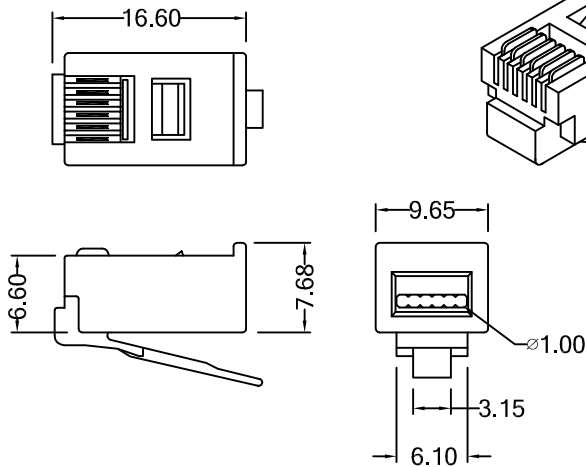


CL100 Series
Part Number: 7603



MATERIAL & FINISH

Body: PC. UL94V-2, clean
Contact: copper alloy plate with gold.

SPECIFICATION

Voltage Rating: 125 volts AC, at 1.5 amps.
Dielectric Withstanding Voltage: 1000 volts AC.
Insulation Resistance: 500 megaohms min.
Contact Resistance: 20 milliohms max.
Durability: 750 cycles.
Temp. Rating: -40°C to +85°C

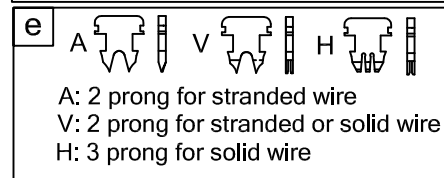
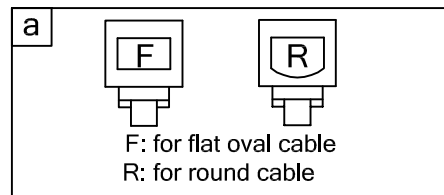
ORDERING INFORMATION

7603 **a** **b** **c** **d** **e**

Cable Entry (F or R) Contact Type (A, V or H)

Position (6P) Gold Plating (03,06,15,30 or 50) u"

Contact (2C,4C or 6C)



UNIT: m / m
TOL.: +/- 0.10



巨亮企業有限公司
CHU LIANG ENTERPRISE CO.,LTD.
TEL:886-2-22023997 FAX:886-2-22023867

E-mail: richard@plug.com.tw
peter@plug.com.tw
Web: http://www.plug.com.tw