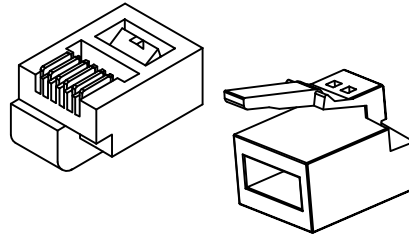
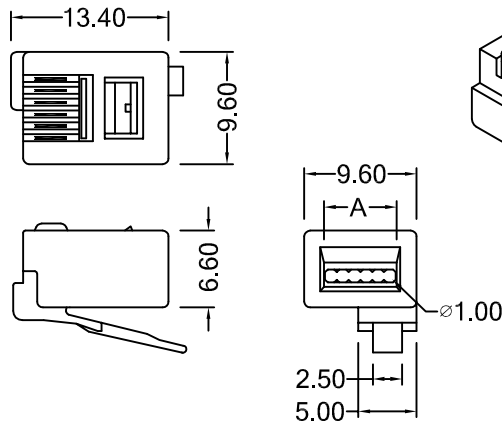


CL100 Series
 Part Number: 7602
 Offset Latch (DEC Type)



| | A |
|------|------|
| 6P4C | 5.20 |
| 6P6C | 7.10 |

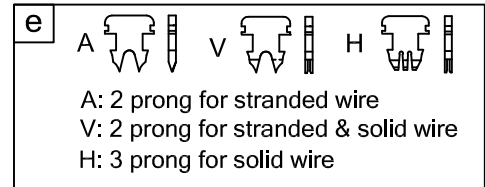
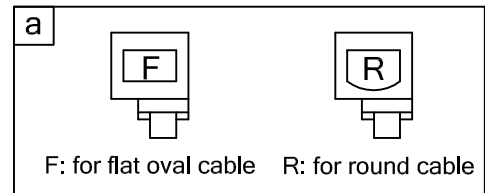
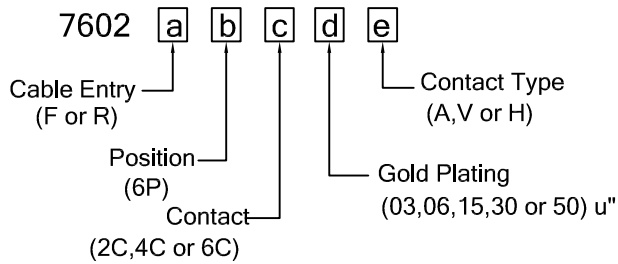
MATERIAL & FINISH

Body: PC. UL94V-2, clean
 Contact: copper alloy plated with gold.

SPECIFICATION

Voltage Rating: 125 volts AC, at 1.5 amps.
 Dielectric Withstanding Voltage: 1000 volts AC.
 Insulation Resistance: 500 megaohms min.
 Contact Resistance: 20 milliohms max.
 Durability: 750 cycles.
 Temp. Rating: -40°C to +85°C

ORDERING INFORMATION



UNIT: m / m
 TOL.: +/- 0.10



巨亮企業有限公司
 CHU LIANG ENTERPRISE CO.,LTD.
 TEL:886-2-22023997 FAX:886-2-22023867

E-mail: richard@plug.com.tw
 peter@plug.com.tw
 Web: http://www.plug.com.tw