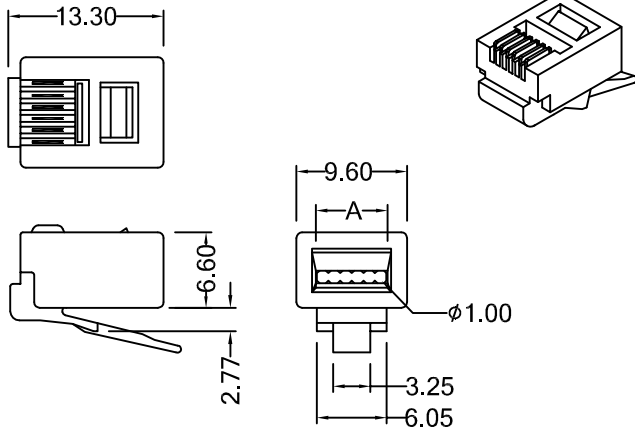


CL100 Series
Part Number: 7601



	A
6P2C	5.20
6P4C	5.20
6P6C	7.15

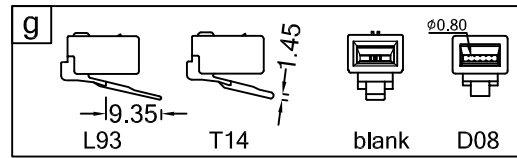
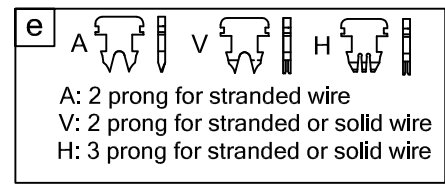
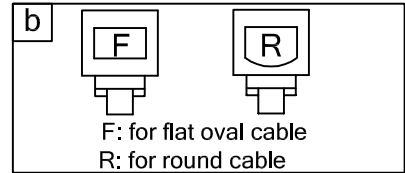
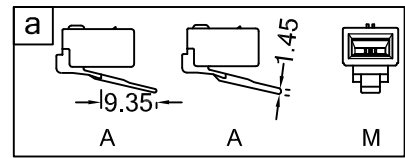
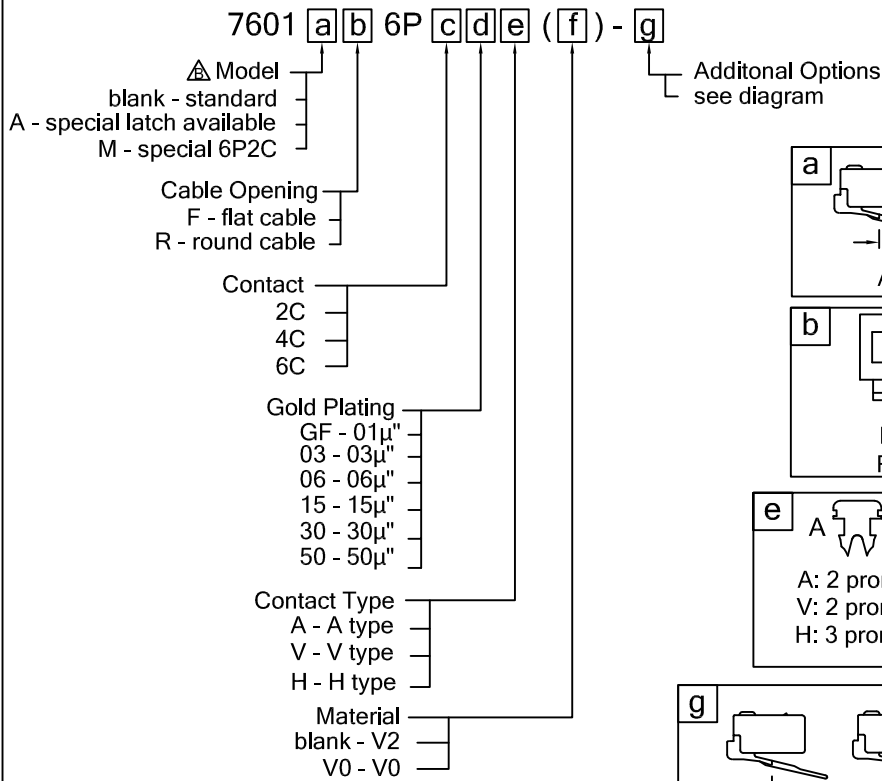
MATERIAL & FINISH

Body: PC. UL94V-2, clean
Contact: Copper alloy, underplated 100uin Nickel, and hard gold plated on contact region, gold flash plated on remainder of terminal.

SPECIFICATIONS

Voltage: 125 VAC
Current: 1.5 A
Contact Resistance: 30 milliohms max.
Insulation Resistance: 500 megaohms min.
Dielectric Withstanding Voltage: 1000 VAC
Temperature: -40°C to 85°C
Mating Cycles: 750 cycles min.

ORDERING INFORMATION



B	add model A & M	20170509
VER	Description	Date

Unit: m/m
Tol: ±0.15 unless otherwise stated



巨亮企業有限公司
CHU LIANG ENTERPRISE CO.,LTD.
TEL:886-2-22023997 FAX:886-2-22023867

E-mail: web@plug.com.tw
peter@plug.com.tw
Web: http://www.plug.com.tw