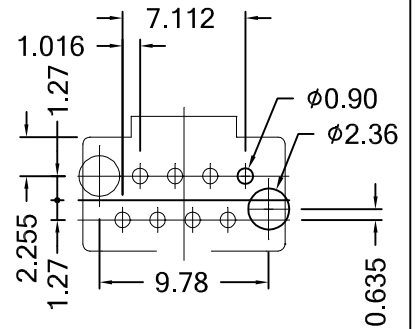
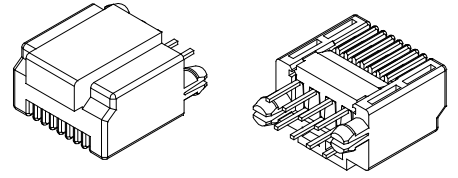
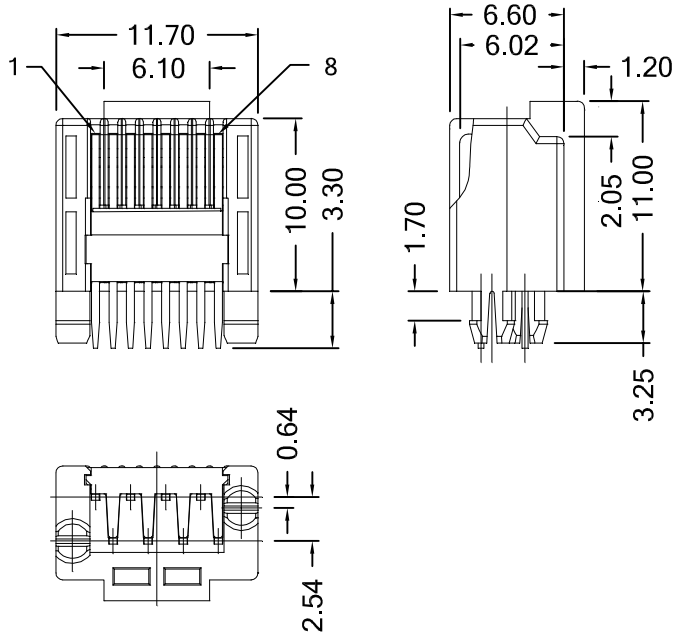


Part Number: 317
PCB PLUG



MATERIAL & FINISH

Housing: High temp. thermoplastic , UL94V-0, black
 Contact: Copper alloy
 Plating: Gold plated over nickel on contact area,
 tin plated over nickel on soldering area.

ORDERING INFORMATION

317 N 8P 8C [a] BK

- Gold Plating
- 03 - 03 μ "
- 06 - 06 μ "
- 15 - 15 μ "
- 30 - 30 μ "
- 50 - 50 μ "

B	Rename P/N	20170505
VER	Description	Date

Unit: m/m
Tol: ± 0.20 unless otherwise stated



巨亮企業有限公司
 CHU LIANG ENTERPRISE CO.,LTD.

TEL:886-2-22023997 FAX:886-2-22023867

E-mail: web@plug.com.tw
 peter@plug.com.tw

Web: http://www.plug.com.tw