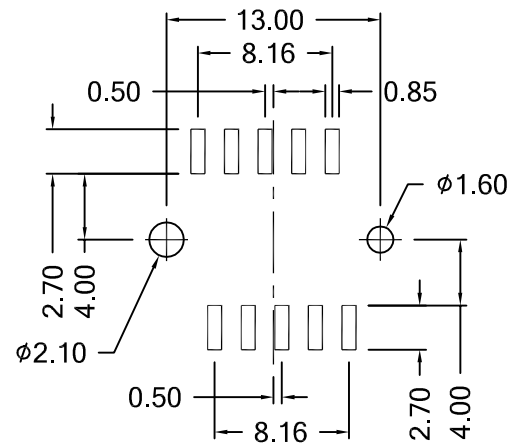
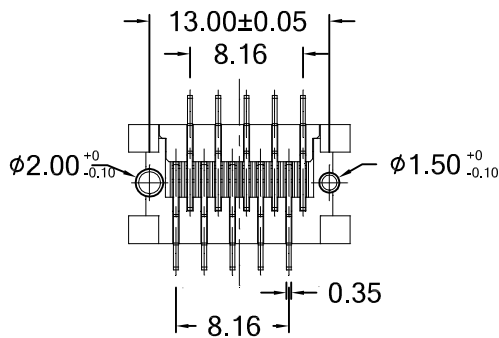
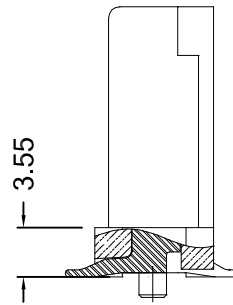
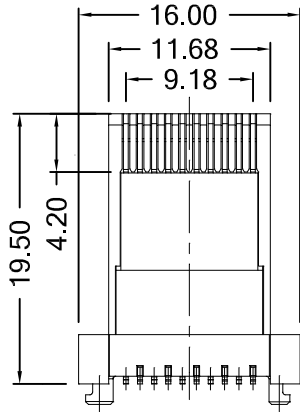
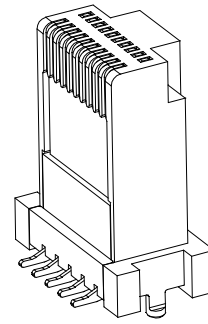
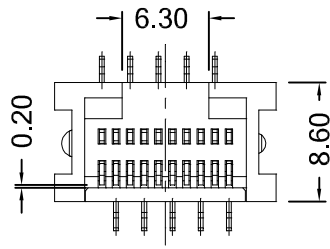


Part Number: 309



PCB Layout / Top View

**MATERIAL & FINISH**

Housing: High Thermoplastic, UL94V-0, black  
 Contact: Phosphor bronze  
 Plating: Gold plated over nickel on contact area,  
 tin plated over nickel on soldering area.

**ORDERING INFORMATION**

309 N 10P 10C [a] BK

- Gold Plating
- 06 - 06μ"
- 15 - 15μ"
- 30 - 30μ"
- 50 - 50μ"

B	add PCB Layout	20171219
VER	Description	Date

Unit: m/m  
 Tol: ±0.25 unless otherwise stated



巨亮企業有限公司  
 CHU LIANG ENTERPRISE CO.,LTD.  
 TEL:886-2-22023997 FAX:886-2-22023867

E-mail: web@plug.com.tw  
 peter@plug.com.tw  
 Web: http://www.plug.com.tw