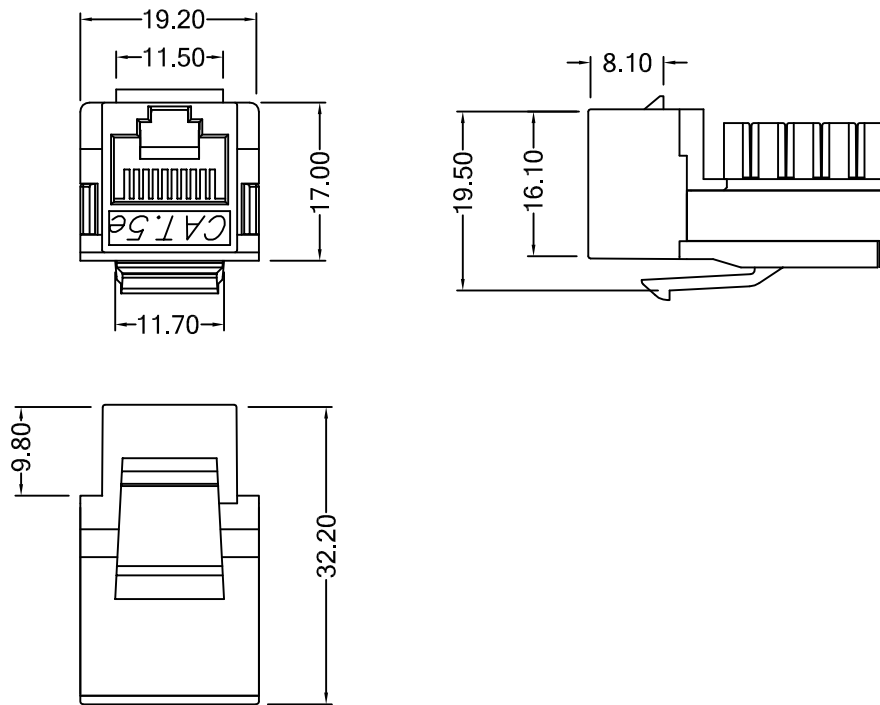


Series Number: KS20-042



MATERIAL & FINISH

Housing: ABS, UL94V-0
IDC: PC UL94V-0, accepts 22-26 AWG solid wire
Contact: PC UL94V-0, phosphor bronze $\phi=0.45\text{mm}$
PCB: FR-4, $t=1.6\text{mm}$
2 layer with gold plated on contact area.

ELECTRICAL

Current Rating: 1.5Amp max
Voltage Rating: 150 Volts
Contact Resistance: 20m ohm
Insulation Resistance: 500m ohm
Withstanding Voltage: 1000 VAC RMS 60HZ / 1 min

ORDERING INFORMATION

KS20 - 042 - 001 - a

Gold Plating
1 - 06 μm
2 - 50 μm

UNIT: m / m
TOL.: ± 0.15 unless otherwise stated



巨亮企業有限公司
CHU LIANG ENTERPRISE CO.,LTD.
TEL: 886-2-22023997 FAX: 886-2-22023867

E-mail: web@plug.com.tw
peter@plug.com.tw
WEB: http://www.plug.com.tw