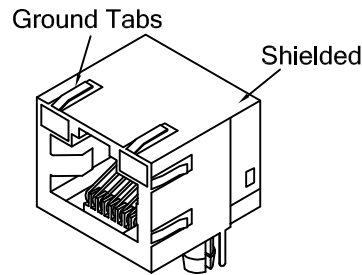
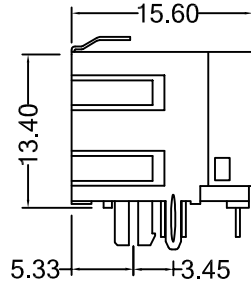
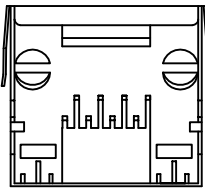
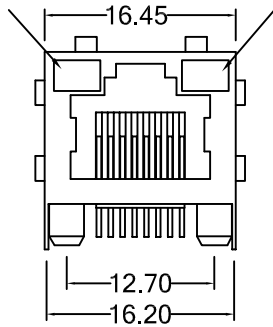
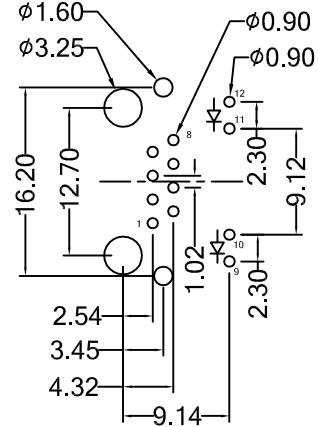


LED1 LED2



Part Number: S602(01)
Fully Shielded with LED



PCB LAYOUT / TOP VIEW

MATERIAL & FINISH

Housing: PBT. UL94V-0, black

Conductor:

Round pin: 0.45 mm diameter phosphor bronze,

Plating: Gold plated over nickel.

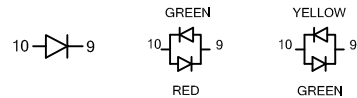
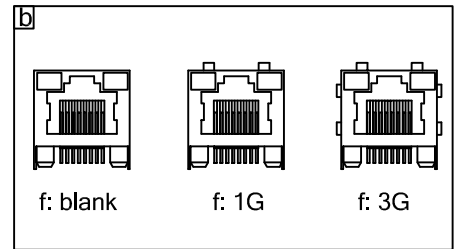
or

Stamping pin: Phosphor bronze, t=0.35mm

Plating: Gold plated over nickel on contact area,

Tin plated over nickel on solder area.

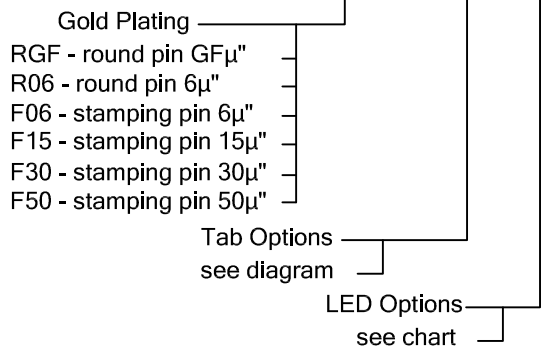
Shield: Brass with nickel plated



TYPICAL FOR SINGLE COLOR LED (RED, GREEN, OR YELLOW)
BI-COLOR LED DETAIL (RED/YELLOW, GREEN/ORANGE LEDS ARE ALSO AVAILABLE)

ORDERING INFORMATION

S 602 (01) N 8P 8C [a] BK ([b]) - [c]



NO	LED1(Left)	LED2(Right)
5	Yellow	Green
6	Green	Yellow
7	Yellow/Green	Yellow/Green
8	Green/Yellow	Green/Yellow
9	Red	Green
A	Green/Red	Green/Red
B	Green/Yellow	Green
C	Green	Green
D	Red	Yellow
E	Yellow/Green	Green
F	Green	Green/Yellow
G	Green	Yellow/Green
H	Red/Green	Red/Green
I	Orange/Green	Orange/Green
J	Yellow	Yellow
K	Orange/Green	Yellow

Unit: m/ m
Tol.: ±0.25 unless otherwise stated



巨亮企業有限公司
CHU LIANG ENTERPRISE CO.,LTD.
TEL: 886-2-22023997 FAX: 886-2-22023867

E-mail: web@plug.com.tw
peter@plug.com.tw
WEB: http://www.plug.com.tw