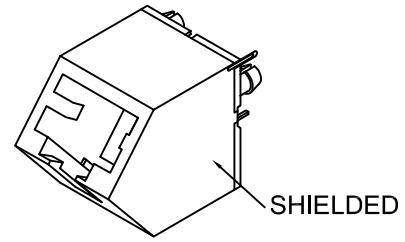
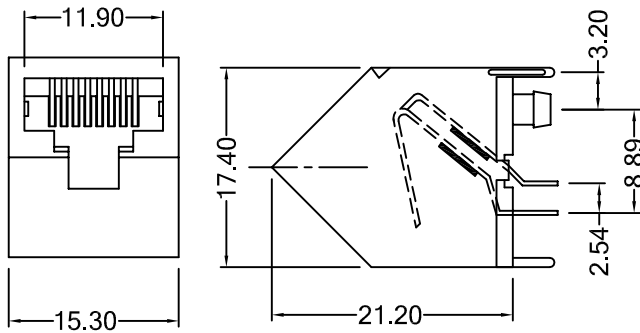


Part Number: S513
Copper Plate With Mylar Inside
Shielded

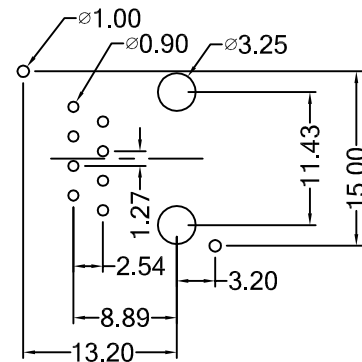


MATERIAL & FINISH

Housing & Insert: PBT. UL94V-0, white
Conductor: 0.35 × 0.42 mm phosphor bronze,
Plating: Gold plated over nickel on contact area,
Tin plated over nickel on solder area.
Copper Plate: 0.30 mm brass alloy.
Shield: Copper alloy with nickel plated.

ORDERING INFORMATION

S513 **a** **b** **c** **d** **e**
(N) position (8P)
contact (8C)
housing color (WH) white
gold plating (06,15,30 or 50) u"



PCB LAYOUT / TOP VIEW

UNIT: m / m
TOL.: +/- 0.15



巨亮企業有限公司
CHU LIANG ENTERPRISE CO.,LTD.
TEL: 886-2-22023997 FAX: 886-2-22023867

E-mail: richard@plug.com.tw
peter@plug.com.tw
WEB: http://www.plug.com.tw