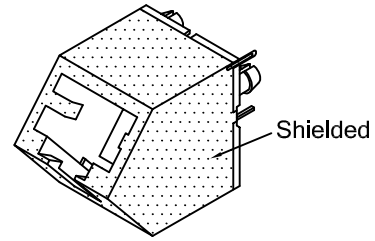
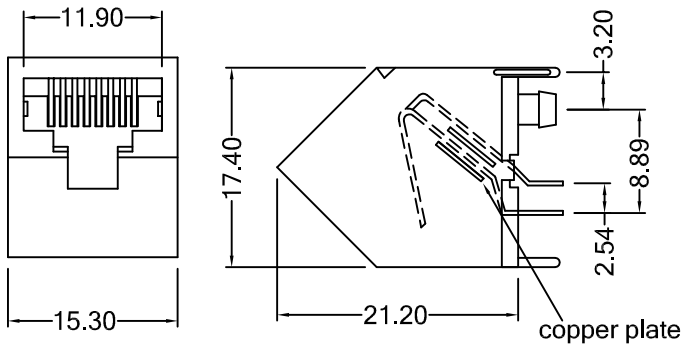


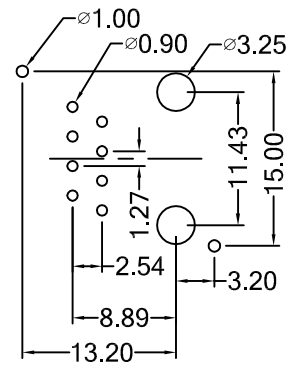
Part Number: S510

Copper Plate Inside  
Shielded



**MATERIAL & FINISH**

Housing & Insert: PBT. UL94V-0, white  
Conductor: 0.35 × 0.42 mm phosphor bronze,  
Plating: Gold plated over nickel on contact area,  
Tin plated over nickel on solder area.  
Copper Plate: 0.30 mm brass alloy.  
Shield: Copper alloy with nickel plated.



PCB LAYOUT / TOP VIEW

**ORDERING INFORMATION**

S510 [a] [b] [c] [d] [e]  
(N) position (8P)  
contact (8C)  
housing color (WH) white  
gold plating (06,15,30 or 50) u"

UNIT: m / m  
TOL.: +/- 0.15



巨亮企業有限公司  
CHU LIANG ENTERPRISE CO.,LTD.  
TEL: 886-2-22023997 FAX: 886-2-22023867

E-mail: richard@plug.com.tw  
peter@plug.com.tw  
WEB: http://www.plug.com.tw