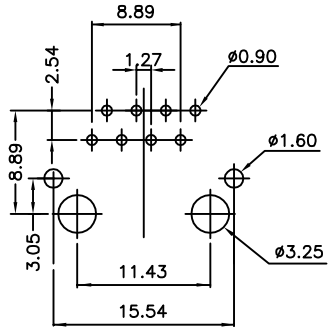
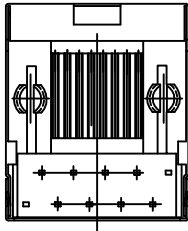
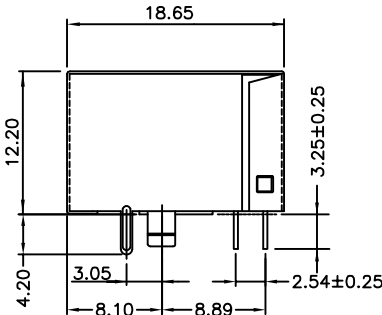
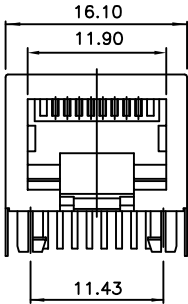
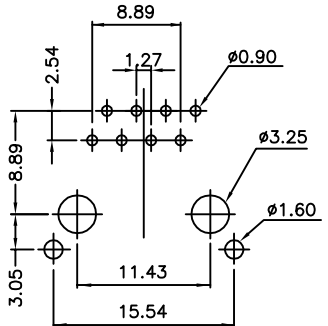


Part Number: S402



PC BOARD LAYOUT (R3.05)



PC BOARD LAYOUT (F3.05)

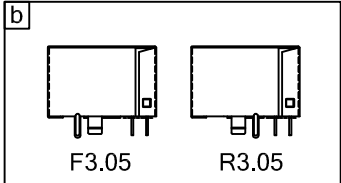
MATERIAL & FINISH

- Housing: PBT. UL94V-0, black
- Conductor: 0.45 mm diameter phosphor bronze, Gold plated over nickel.
- Shield: 0.25 mm thickness copper alloy with nickel plated

ORDERING INFORMATION

S 402 N 8P 8C [a] BK ([b])

- Gold Plating [a]
 - GF - Gold flash
 - 03 - 3μ"
 - 06 - 6μ"
 - 15 - 15μ"
 - 30 - 30μ"
 - 50 - 50μ"
- Ground Tabs [b]
 - See chart



UNIT: mm
TOL: ±0.20mm



巨亮企業有限公司
CHU LIANG ENTERPRISE CO.,LTD.
TEL:886-2-22023997 FAX:886-2-22023867

E-mail: peter@plug.com.tw
web@plug.com.tw
Web: http://www.plug.com.tw