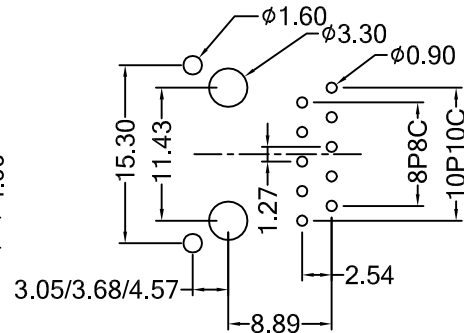
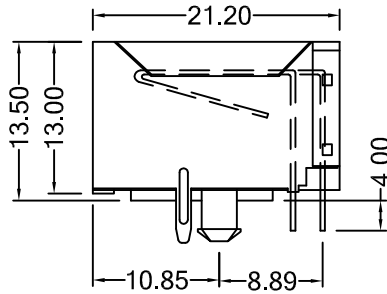
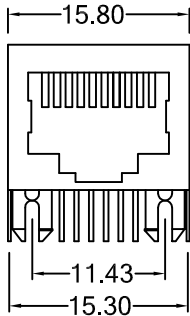
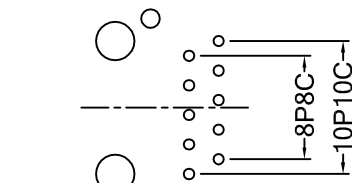
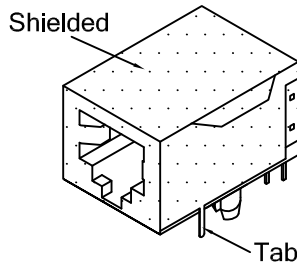
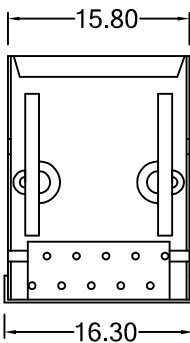


Part Number: S296



F3.05 / F3.68 / F4.57
PCB LAYOUT / TOP VIEW



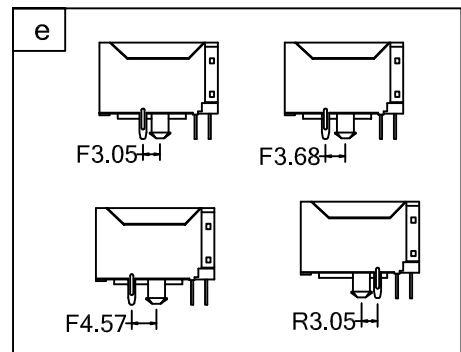
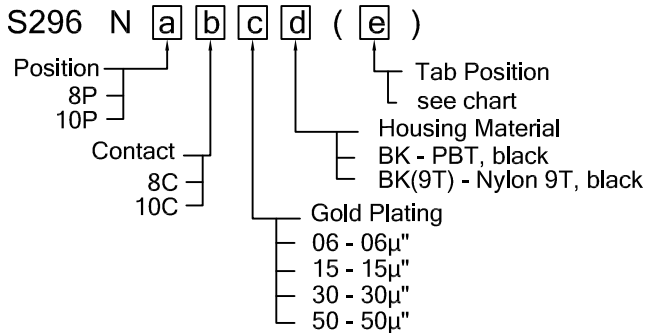
R3.05
PCB LAYOUT / TOP VIEW

MATERIAL & FINISH

Housing: PBT or Nylon 9T, UL94V-0, standard color black
 Insert: PBT or Nylon 9T, UL94V-0, standard color black
 Conductor: 0.35 mm thick phosphor bronze,
 Gold plated over nickel on contact area,
 Tin plated over nickel on solder area.
 Shield: 0.25 mm bronze with nickel plated.

Voltage Rating : 125 V
 Current Rating : 1.5 A
 Contact Resistance : 30 milliohms max.
 Dielectric Withstanding Voltage : 1000 V
 Insulation Resistance : 500 megaohms min.
 Temperature: -40°C to 70°C
 Mating Cycle: 750 min.

ORDERING INFORMATION



UNIT: m / m
 TOL.: +/- 0.15



巨亮企業有限公司
 CHU LIANG ENTERPRISE CO.,LTD.
 TEL:886-2-22023997 FAX:886-2-22023867 Web: http://www.plug.com.tw

E-mail: richard@plug.com.tw
 peter@plug.com.tw