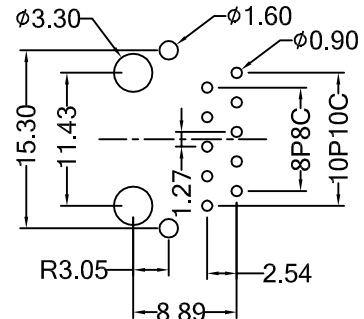
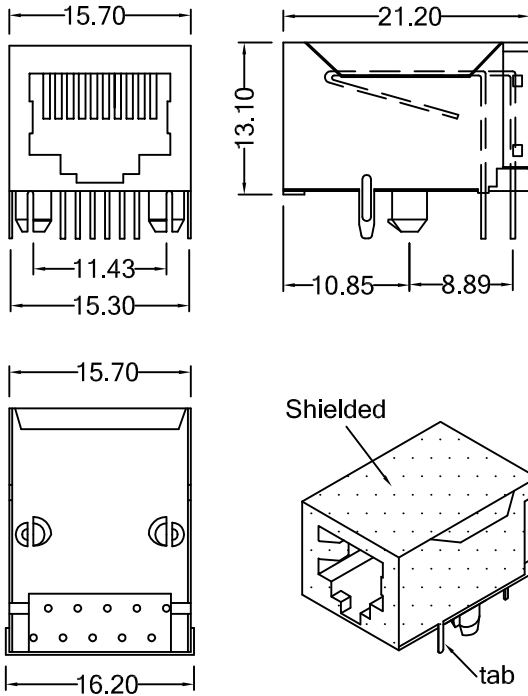
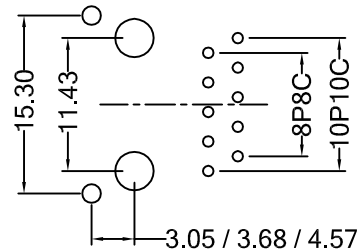


Part Number: S290
Fully Shielded



PCB LAYOUT / TOP VIEW
R3.05



PCB LAYOUT / TOP VIEW
(F3.05) / (F3.68) / (F4.57)

MATERIAL & FINISH

Housing & Insert: PBT or Nylon 9T or Halogen-free PBT, UL94V-0, black
 Contact: 0.35 x 0.42 mm phosphor bronze, Gold plated over nickel on contact area, Tin plated over nickel on solder area.
 Shield: Brass with nickel plated.

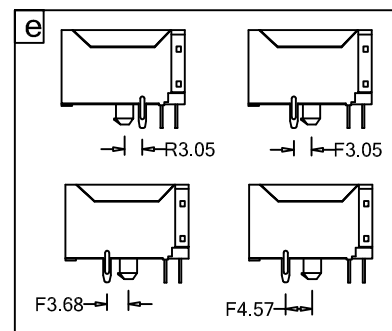
ELECTRICAL

Voltage Rating: 125 V
 Current Rating: 1.5 A
 Contact Resistance: 30 milliohms max.
 Insulation Resistance: 500 megohms min.
 Dielectric Withstanding Voltage: 1000 V

ORDERING INFORMATION

S 290 N a b c d (e)

- Position: 8P, 10P
- Contact: 8C, 10C
- Gold Plating: 06 - 06μ", 15 - 15μ", 30 - 30μ", 50 - 50μ"
- Tab Options: see chart
- Housing Material: BK - PBT, black; BK(9T) - Nylon 9T, black; BK(HF) - Halogen-free PBT, black



Unit: m/m
 Tol: ±0.25 unless otherwise stated



巨亮企業有限公司
 CHU LIANG ENTERPRISE CO.,LTD.
 TEL:886-2-22023997 FAX:886-2-22023867

E-mail: web@plug.com.tw
 peter@plug.com.tw
 Web: http://www.plug.com.tw