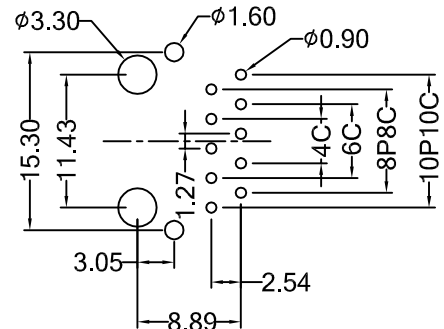
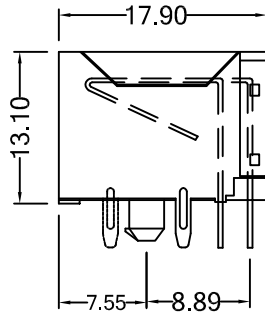
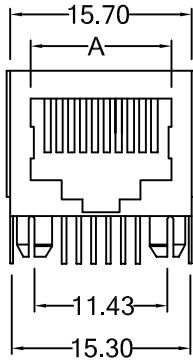
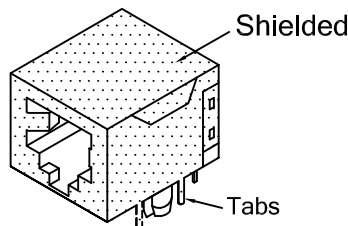
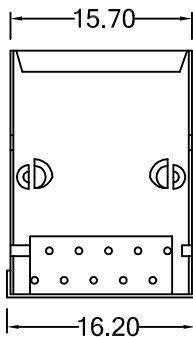


Part Number: S280
Fully Shielded

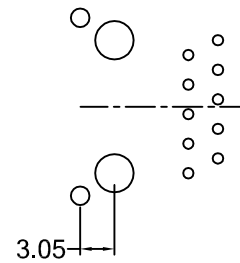


PCB LAYOUT / TOP VIEW / R3.05



Position	Contact	A
6P	2C/4C/6C	9.90
8P	4C/6C/8C	11.95
10P	10C	11.95

UNIT: m / m TOL.: +/- 0.15



PCB LAYOUT / TOP VIEW / F3.05

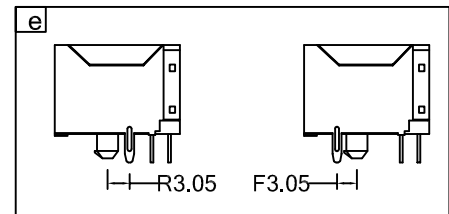
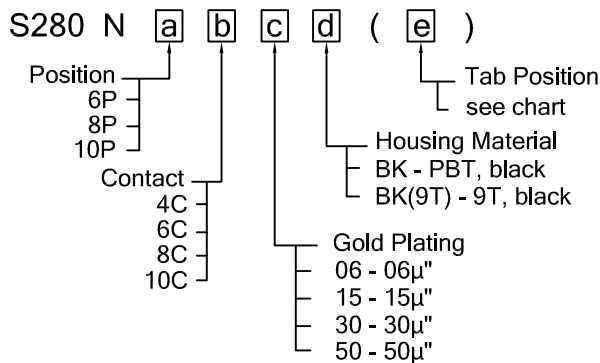
MATERIAL & FINISH

Housing & Insert: PBT or Nylon 9T, UL94V-0
Contact: 0.35 x 0.42 mm phosphor bronze,
Gold plated over nickel on contact area,
Tin plated over nickel on solder area.
Shield: 0.25 mm bronze nickel plated.

ELECTRICAL

Voltage Rating: 125 V
Current Rating: 1.5 A
Contact Resistance: 30 milliohms max.
Insulation Resistance: 500 megaohms min.
Dielectric Withstanding Voltage: 1000 V

ORDERING INFORMATION



巨亮企業有限公司
CHU LIANG ENTERPRISE CO.,LTD.

E-mail: web@plug.com.tw
peter@plug.com.tw

TEL:886-2-22023997 FAX:886-2-22023867 Web: http://www.plug.com.tw