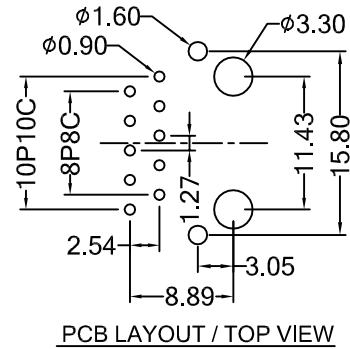
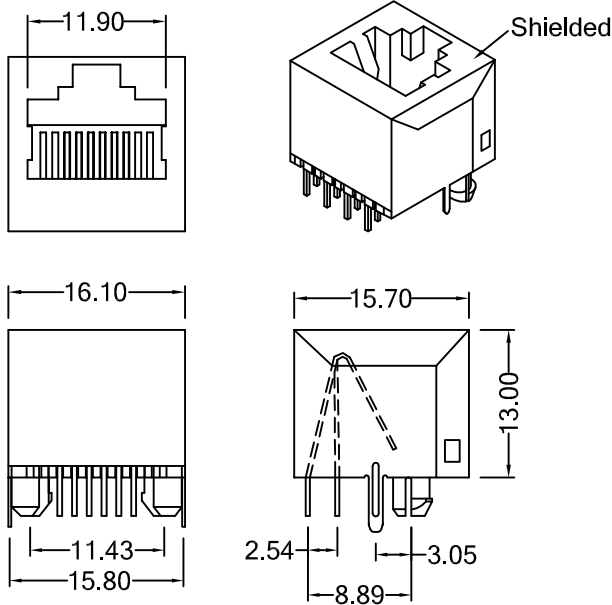


Part Number: S264



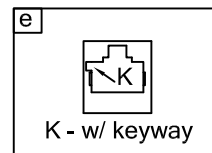
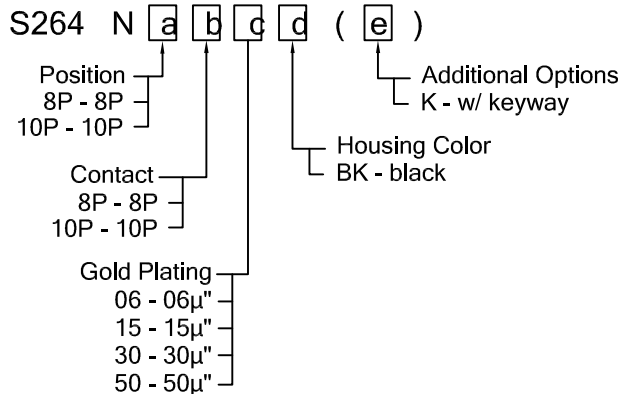
MATERIAL & FINISH

Housing & Insert: PBT. UL94V-0, black
 Conductor: 0.35 × 0.42 mm phosphor bronze,
 Plating: Gold plated over nickel on contact area,
 Tin plated over nickel on solder area.
 Shield: Copper alloy with nickel plated.

ELECTRICAL

Voltage Rating: 125 V
 Current Rating: 1.5 A
 Contact Resistance: 30 milliohms max.
 Insulation Resistance: 500 megaohms min.
 Dielectric Withstanding Voltage: 1000 V

ORDERING INFORMATION



UNIT: m / m
 TOL.: +/- 0.15



巨亮企業有限公司
 CHU LIANG ENTERPRISE CO.,LTD.
 TEL: 886-2-22023997 FAX: 886-2-22023867

E-mail: richard@plug.com.tw
 peter@plug.com.tw
 WEB: http://www.plug.com.tw