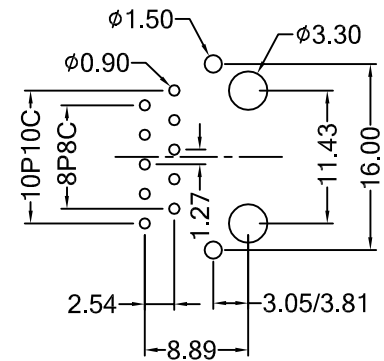
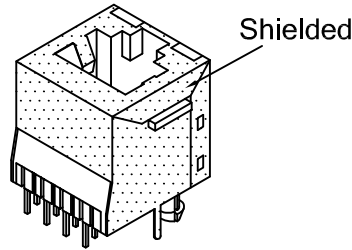
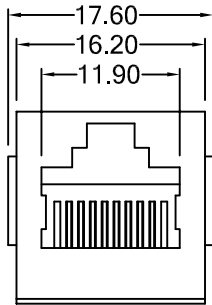
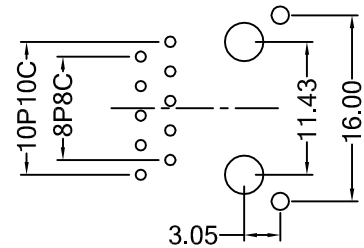
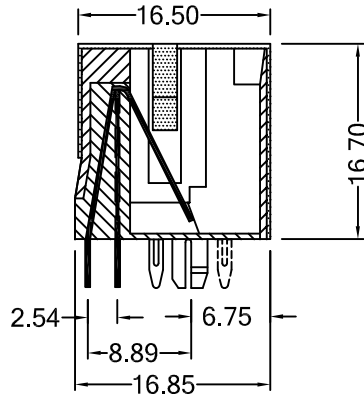
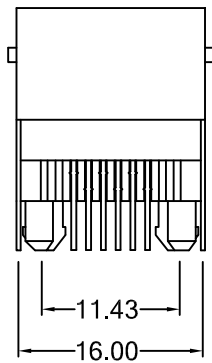


Part Number: S260



PCB LAYOUT / TOP VIEW (R3.05/R3.81)



PCB LAYOUT / TOP VIEW (F3.05)

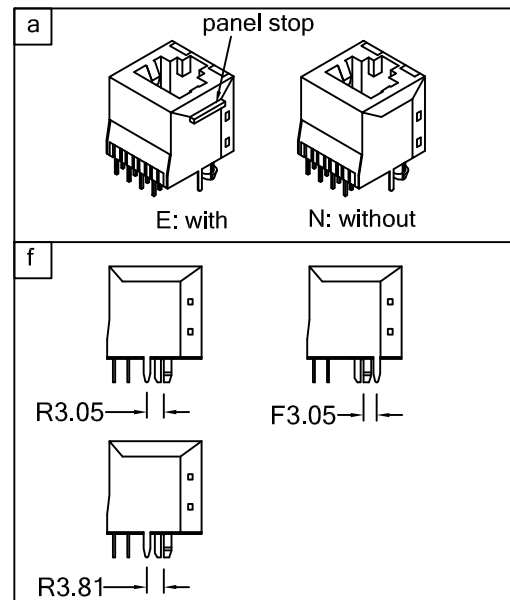
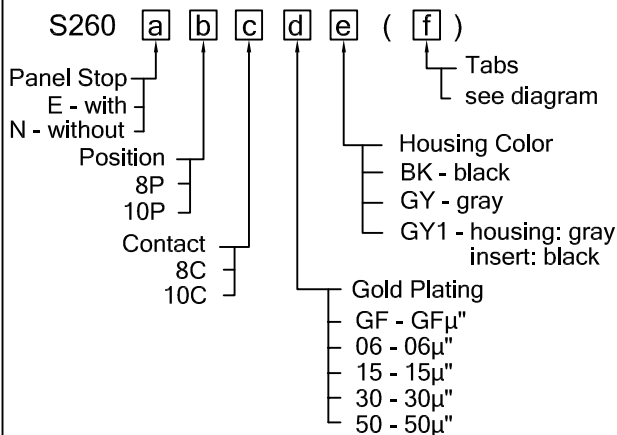
MATERIAL & FINISH

Housing & Insert: PBT. UL94V-0, black or gray
 Conductor: 0.35 mm thickness phosphor bronze,
 Gold plated over nickel on contact area,
 Tin plated over nickel on solder area.
 Shield: Brass plated nickel.
 Temperature : -40 to 85 °C
 Durability : 750 cycles min.

ELECTRICAL

Voltage Rating : 125 V
 Current Rating : 1.5 A
 Contact Resistance : 30 milliohms max.
 Insulation Resistance : 500 megaohms min.
 Dielectric Withstanding Voltage : 1000 V

ORDERING INFORMATION



Unit: m/m
 Tol.: ±0.20 unless otherwise stated



巨亮企業有限公司
 CHU LIANG ENTERPRISE CO.,LTD.
 TEL:886-2-22023997 FAX:886-2-22023867 Web: http://www.plug.com.tw

E-mail: web@plug.com.tw
 peter@plug.com.tw