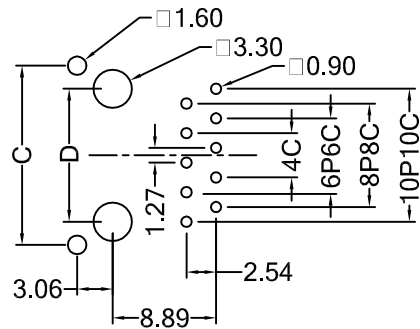
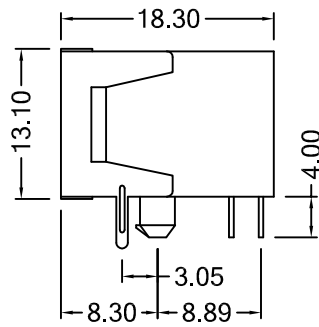
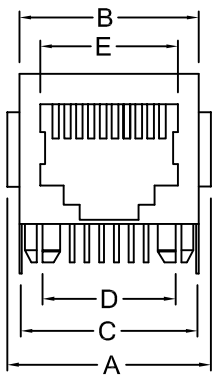
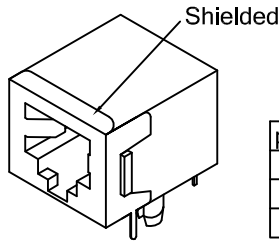
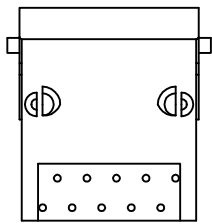


Part Number: C285



PCB LAYOUT / TOP VIEW



position	conductor	A	B	C	D	E
6P	2C/4C/6C	15.60	13.65	13.40	10.16	9.90
8P	8C	17.40	15.50	15.40	11.43	11.85
10P	10C	17.40	15.50	15.40	11.43	11.85

UNIT: m / m TOL.: +/- 0.15

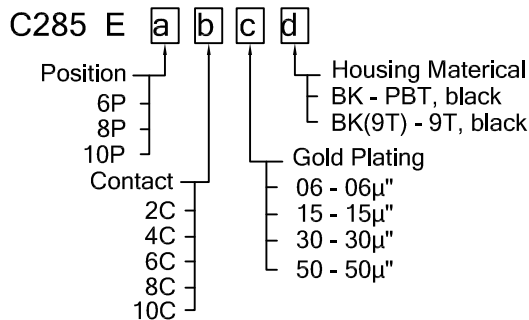
MATERIAL & FINISH

Housing & Insert: PBT. or Nylon 9T, UL94V-0, black
 Conductor: 0.35 × 0.42 mm phosphor bronze,
 Plating: Gold plated over nickel on contact area,
 Tin plated over nickel on solder area.
 Shield: Bronze with nickel plated.
 Temperature: -40°C to 70°C
 Mating Cycle: 750 cycles min.
 RoHS Compliance

ELECTRICAL:

Voltage Rating: 125 V
 Current Rating: 1.5 A
 Contact Resistance: 30 milliohms max.
 Dielectric Withstanding Voltage: 1000 V
 Insulation Resistance: 500 megaohms min.

ORDERING INFORMATION



巨亮企業有限公司
 CHU LIANG ENTERPRISE CO.,LTD.
 TEL: 886-2-22023997 FAX: 886-2-22023867

E-mail: web@plug.com.tw
 peter@plug.com.tw
 WEB: http://www.plug.com.tw