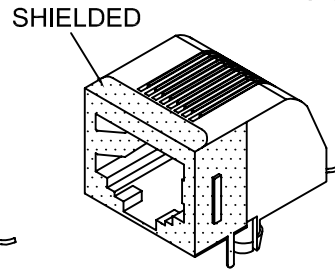
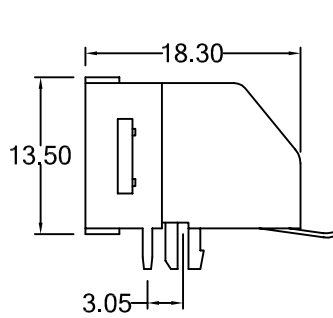
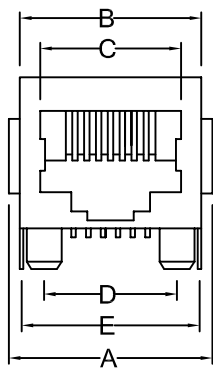
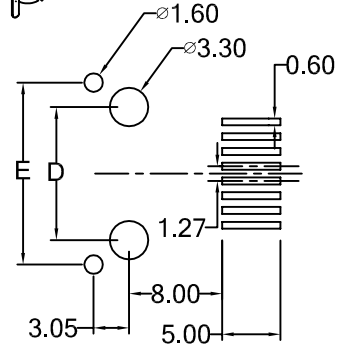


Part Number: C254 (9T)



position	contact	A	B	C	D	E
6P	6C	15.75	13.80	10.00	10.16	13.72
8P	8C	17.45	16.00	11.95	11.43	15.65

UNIT: m / m
TOL.: +/- 0.15



PCB LAYOUT / TOP VIEW

MATERIAL & FINISH

Housing: Nylon 9T UL94V-0, black
 Conductor: 0.35 × 0.42 mm thickness phosphor bronze,
 Plating: Gold plated over nickel on contact area,
 Tin plated over nickel on solder area.
 Shield: Copper alloy with nickel plated.

ORDERING INFORMATION

C254 E **a** **b** **c** **d** (9T)
 position (6P or 8P) —> **a**
 contact (6C or 8C) —> **b**
 housing color (BK) black —> **d**
 gold plating (06, 15, 30 or 50) u" —> **c**



巨亮企業有限公司
 CHU LIANG ENTERPRISE CO.,LTD.
 TEL:886-2-22023997 FAX:886-2-22023867

E-mail: richard@plug.com.tw
 WEB: http://www.plug.com.tw