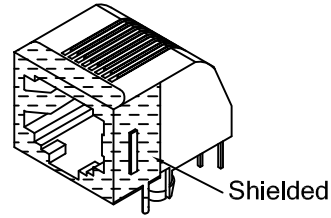
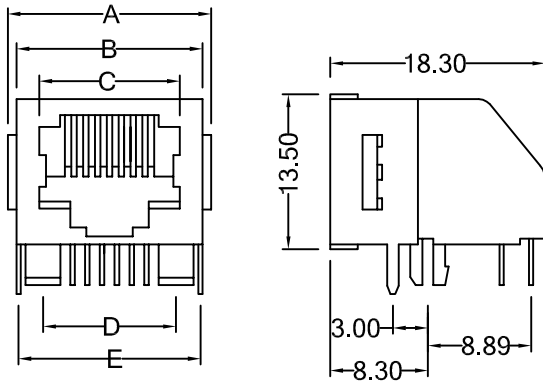


Part Number: C253
Semi Shielded

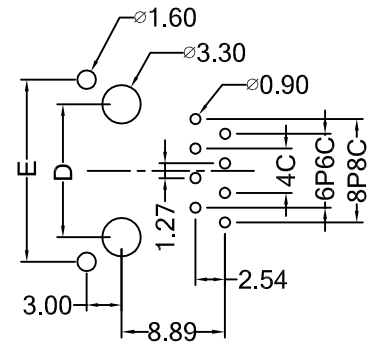


position	contact	A	B	C	D	E
6P	4C/6C	15.65	13.90	9.90	10.16	13.70
8P	8C	17.45	16.00	11.93	11.93	15.65

UNIT: m / m TOL.: +/- 0.15

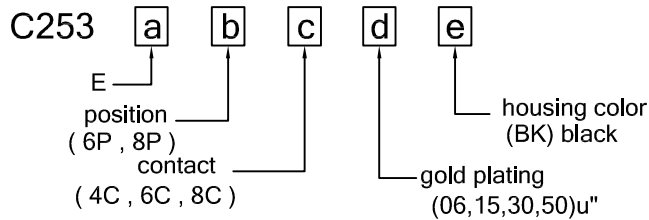
MATERIAL & FINISH

Housing: PBT. UL94V-0, black
 Conductor: 0.35 × 0.42 mm thickness phosphor bronze,
 Plating: Gold plated over nickel on contact area,
 Tin plated over nickel on solder area.
 Shield: Copper alloy with nickel plated.



PCB LAYOUT / TOP VIEW

ORDERING INFORMATION



巨亮企業有限公司
 CHU LIANG ENTERPRISE CO.,LTD.
 TEL: 886-2-22023997 FAX: 886-2-22023867 WEB: http://www.plug.com.tw

E-mail: richard@plug.com.tw
 peter@plug.com.tw