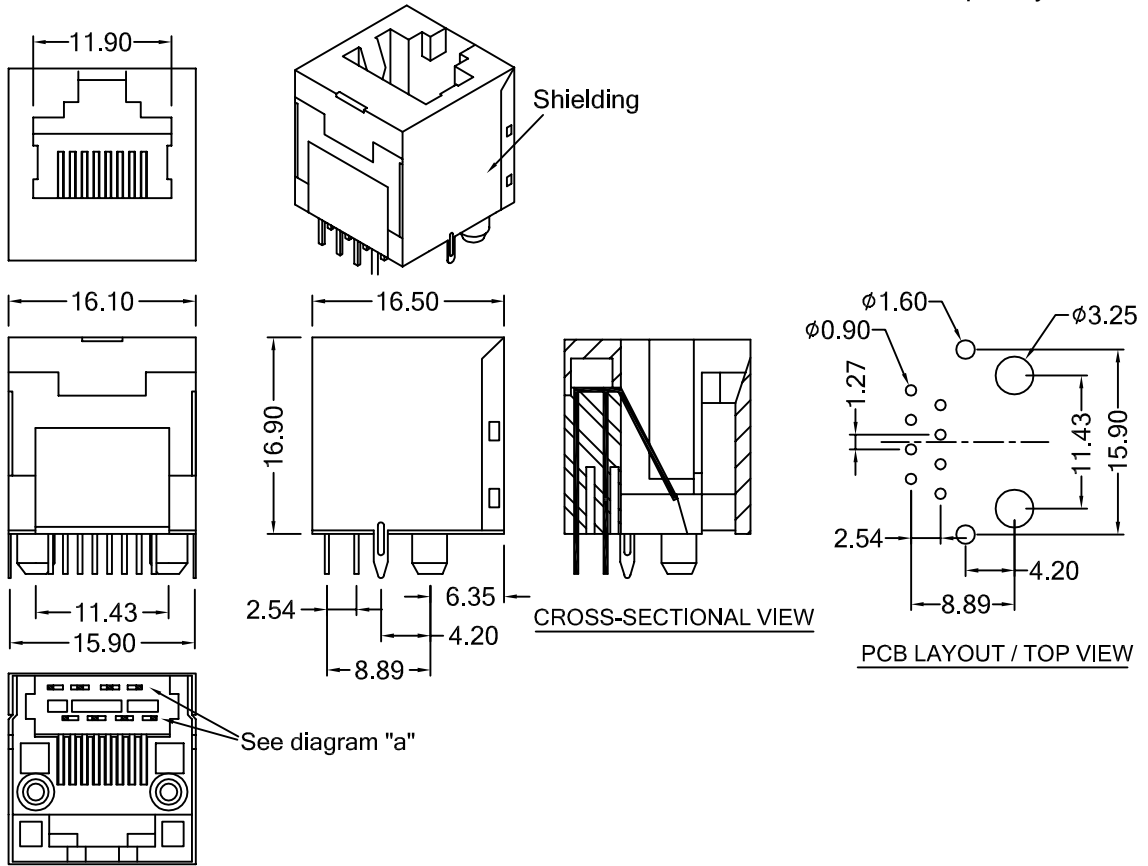
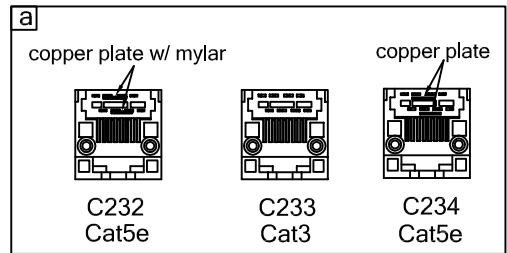


Part Number: C23X
Top Entry, Shielded



MATERIAL & FINISH

Housing & Insert: PBT. UL94V-0, black
 Conductor: Posphor bronze, t=0.35mm
 Gold plated over nickel on contact area,
 Tin plated over nickel on solder area.
 Shield: Copper alloy with nickel plated.



ORDERING INFORMATION

C 23 **a** N 8P 8C **b** BK

- a**: Series Number
 - 2 - copper plate w/ mylar
 - 3 - w/o copper plate
 - 4 - w/ copper plate
- b**: Gold Plating
 - 06 - 06 μ "
 - 50 - 50 μ "

Unit: m/m
Tol: ± 0.25 unless otherwise stated



巨亮企業有限公司
 CHU LIANG ENTERPRISE CO.,LTD.
 TEL: 886-2-22023997 FAX: 886-2-22023867

E-mail: web@plug.com.tw
 peter@plug.com.tw
 WEB: http://www.plug.com.tw