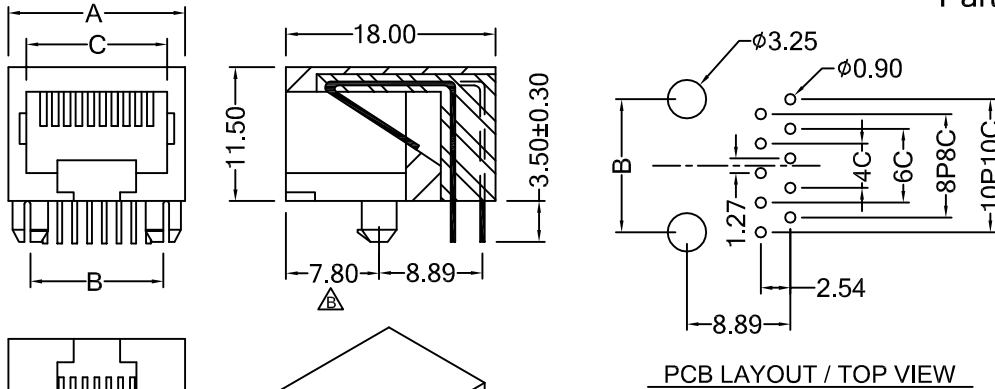


Part Number: 950



position	contact	A	B	C
4P	4C	11.20	7.62	7.80
6P	2C/4C/6C	13.20	10.16	10.00
8P	8C	15.20	11.43	12.00
10P	10C	15.20	11.43	12.00

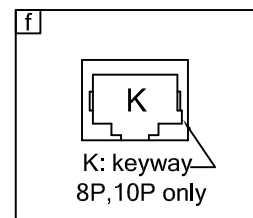
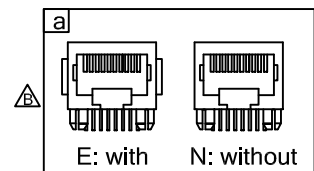
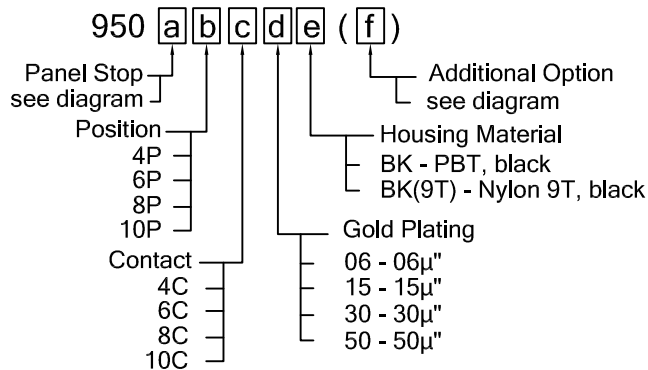
MATERIAL & FINISH

Housing & Insert: PBT or Nylon 9T, UL94V-0, black
 Conductor: 0.35 mm thickness phosphor bronze,
 Gold plated over nickel on contact area,
 Tin plated over nickel on solder area.
 Temperature : -40°C to 85°C
 Durability : 750 cycles min.

ELECTRICAL SPECIFICATION

Voltage Rating: 125 V
 Current Rating: 1.5 A
 Contact Resistance: 30 milliohms max.
 Insulation Resistance: 500 megaohms min.
 Dielectric Withstanding Voltage: 1000 V

ORDERING INFORMATION



B	revise dim. 8.00→7.80	20170915
B	add "w/ panel stop"	20170915
VER	Description	Date

Unit: m/m
 Tol.: ±0.15 unless otherwise stated



巨亮企業有限公司
 CHU LIANG ENTERPRISE CO.,LTD.
 TEL:886-2-22023997 FAX:886-2-22023867

E-mail: web@plug.com.tw
 peter@plug.com.tw
 Web: http://www.plug.com.tw