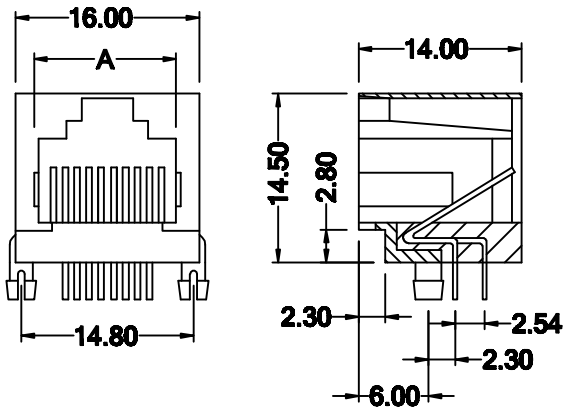
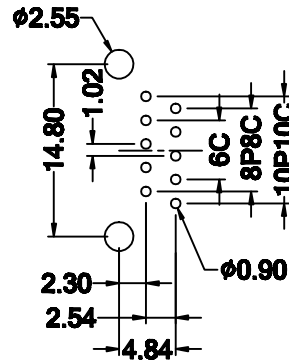
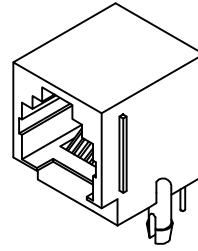


Part Number: 816



| position | contact | A |
|----------|-------------|-------|
| (8P)6P | 2C/4C/6C | 10.00 |
| 8P | 2C/4C/6C/8C | 12.10 |
| 10P | 10C | 12.10 |



PCB LAYOUT / TOP VIEW

MATERIAL & FINISH

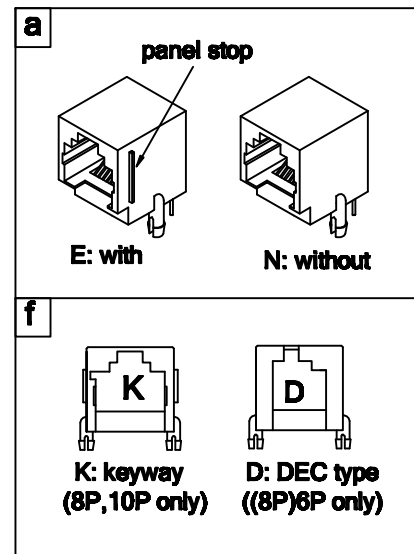
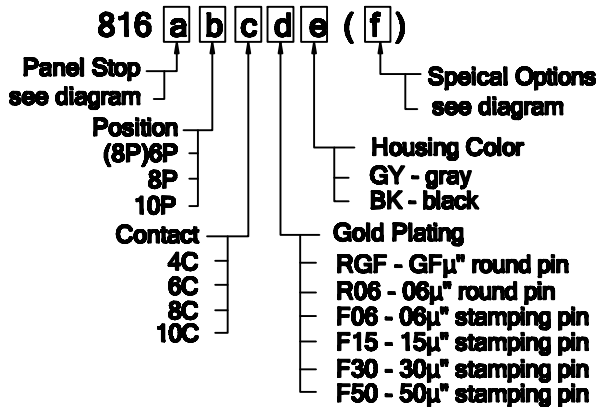
Housing: PBT. UL94V-0, black or gray

Insert: PBT. UL94V-0, gray

Conductor:

- Round pin: 0.45 mm diameter phosphor bronze,
Plating: Gold plated over nickel.
- Stamping pin 0.35 x 0.42 mm phosphor bronze,
Plating: Gold plated over nickel on contact area,
Tin plated over nickel on solder area.

ORDERING INFORMATION



Unit: mm
Tol: ±0.15 unless otherwise stated



巨亮企業有限公司
CHU LIANG ENTERPRISE CO.,LTD.
TEL:886-2-22023997 FAX:886-2-22023867

E-mail: web@plug.com.tw
peter@plug.com.tw
Web: http://www.plug.com.tw