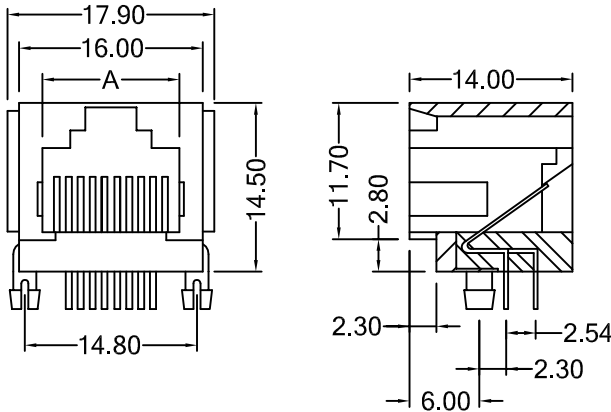
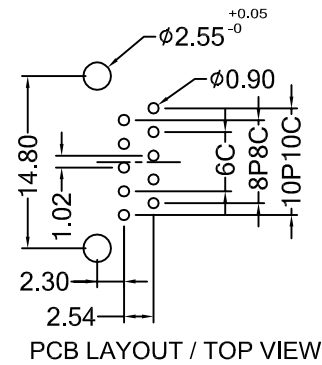
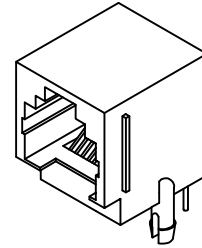


Part Number: 810



position	contact	A
(8P)6P	2C/4C/6C	10.00
8P	2C/4C/6C/8C	12.10
10P	10C	12.10



MATERIAL & FINISH

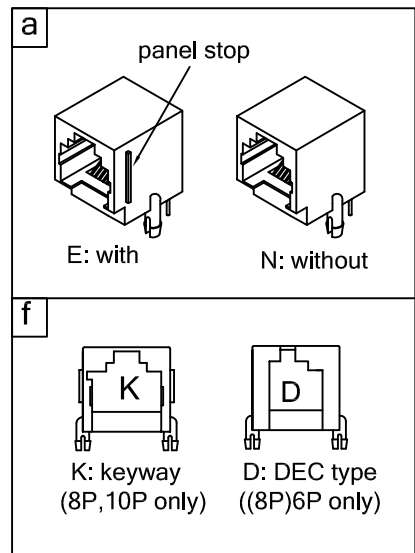
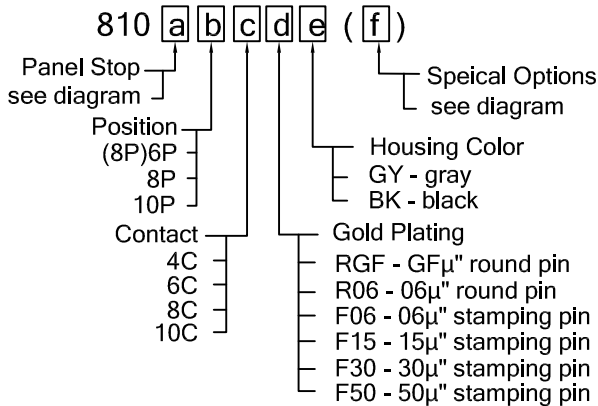
Housing: PBT. UL94V-0, black or gray

Insert: PBT. UL94V-0, white

Conductor:

- ┌ Round pin: 0.45 mm diameter phosphor bronze,
- └ Plating: Gold plated over nickel.
- ┌ Stamping pin 0.35 x 0.42 mm phosphor bronze,
- └ Plating: Gold plated over nickel on contact area,
Tin plated over nickel on solder area.

ORDERING INFORMATION



Unit: m/m
Tol: ± 0.15 unless otherwise stated



巨亮企業有限公司
CHU LIANG ENTERPRISE CO.,LTD.
TEL:886-2-22023997 FAX:886-2-22023867

E-mail: web@plug.com.tw
peter@plug.com.tw
WEB: http://www.plug.com.tw