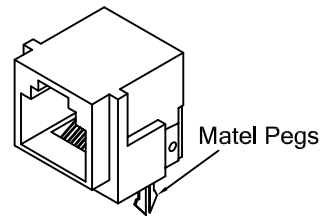
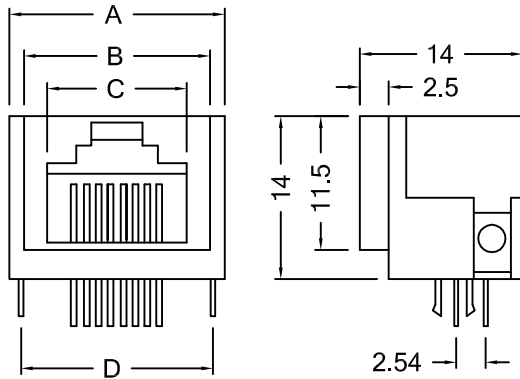
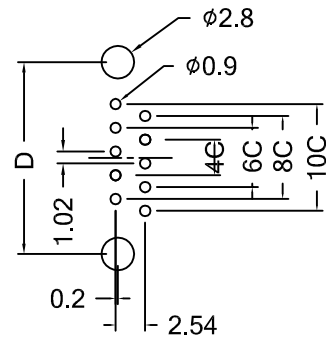


Part Number: 667



position	contact	A	B	C	D
6P	2C/4C/6C	14.60	12.00	9.80	12.80
8P	4C/6C/8C	18.50	16.00	12.00	16.50
10P	10C	18.50	16.00	12.00	16.50

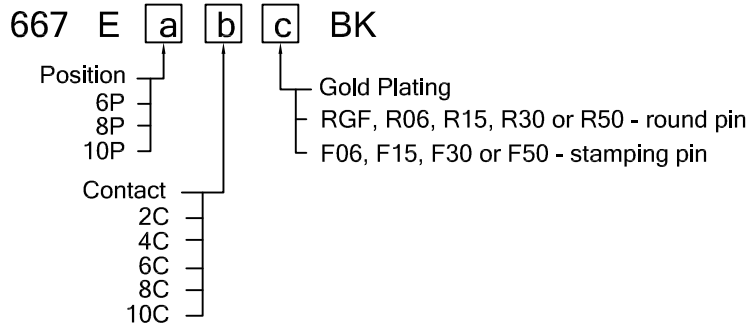


PCB LAYOUT / TOP VIEW

MATERIAL & FINISH

- Housing: PBT. UL94V-0, black
- Insert: PBT. UL94V-0, 6P - black, 8P & 10P - gray
- Conductor:
 - Round pin: 0.45 mm diameter phosphor bronze,
Plating: Gold plated over nickel.
 - or
 - Stamping pin: 0.35 × 0.42 mm phosphor bronze,
Plating: Gold plated over nickel on contact area,
Tin plated over nickel on solder area.
 - Peg: Phosphor bronze plated with nickel.

ORDERING INFORMATION



UNIT: m / m
TOL: +/- 0.15



巨亮企業有限公司
 CHU LIANG ENTERPRISE CO.,LTD.
 TEL:886-2-22023997 FAX:886-2-22023867

E-mail: richard@plug.com.tw
 peter@plug.com.tw
 Web: http://www.plug.com.tw