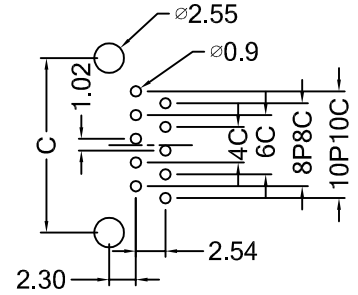
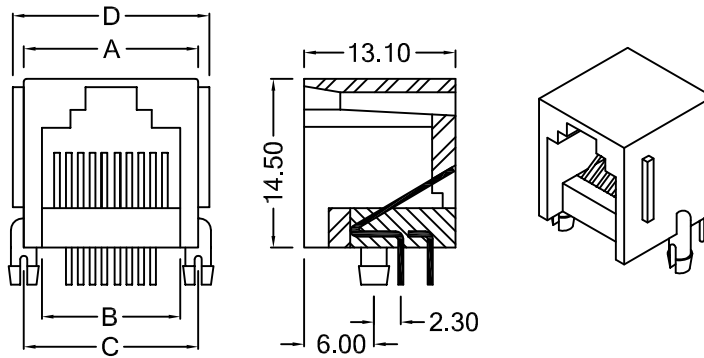


Part Number: 628



PCB LAYOUT / TOP VIEW

position	contact	A	B	C	D
4P	4C	10.00	7.85	10.00	12.00
(6P)4P	4C	12.20	7.85	12.00	14.20
6P	2C/4C/6C	12.20	9.90	12.00	14.20
8P	8C	15.00	11.85	15.00	16.90
10P	10C	15.00	11.85	15.00	16.90

UNIT: m / m TOL.: +/- 0.15

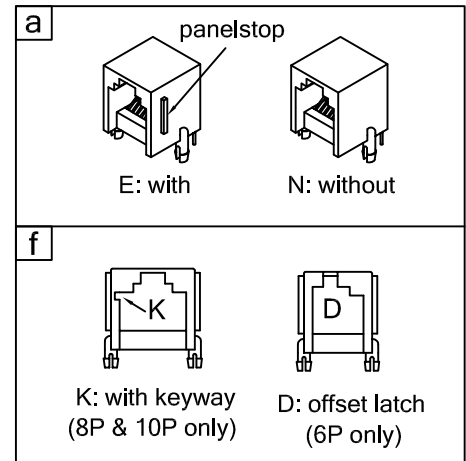
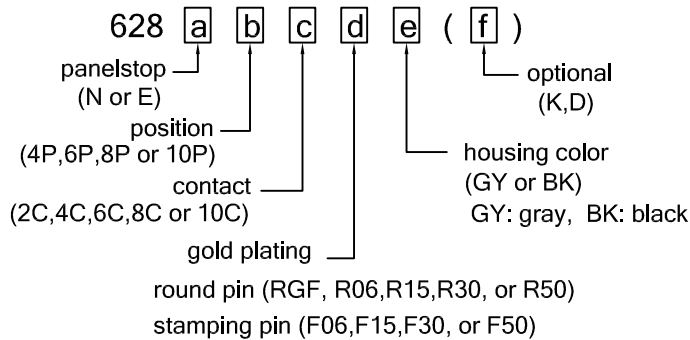
MATERIAL & FINISH

Housing : PBT. UL94V-0, grey or black
 Insert: PBT. UL94V-0, 6P&4P-black, 8P&10P-gray
 Conductor:
 [Round pin: 0.45 mm diameter phosphor bronze,
 Plating: Gold plated over nickel.
 or
 [Stamping pin 0.35 × 0.42 mm phosphor bronze,
 Plating: Gold plated over nickel on contact area,
 Tin plated over nickel on solder area.
 Temperature: -40°C to 70°C
 Durability: 750 cycles min.

ELECTRICAL

Voltage Rating : 125 V
 Current Rating : 1.5 A
 Contact Resistance : 30 milliohms max.
 Insulation Resistance : 500 megaohms min.
 Dielectric Withstanding Voltage : 1000 V

ORDERING INFORMATION



巨亮企業有限公司
 CHU LIANG ENTERPRISE CO.,LTD.
 TEL: 886-2-22023997 FAX: 886-2-22023867

E-mail: richard@plug.com.tw
 WEB: http://www.plug.com.tw